



OCEAN DISCOVERY



6+

C2306

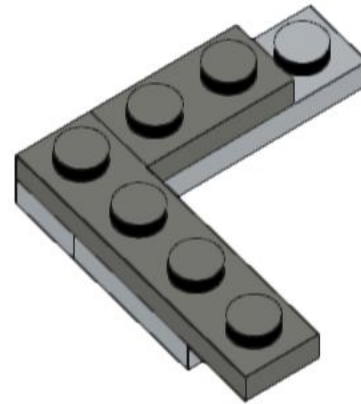
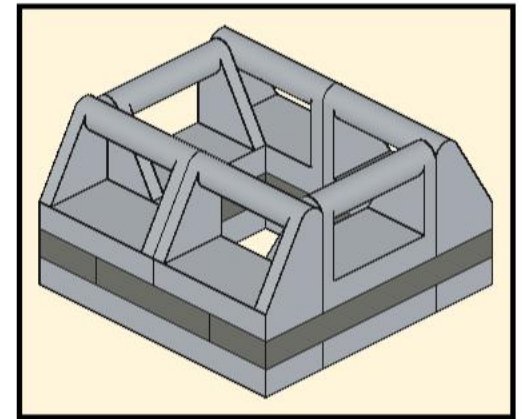
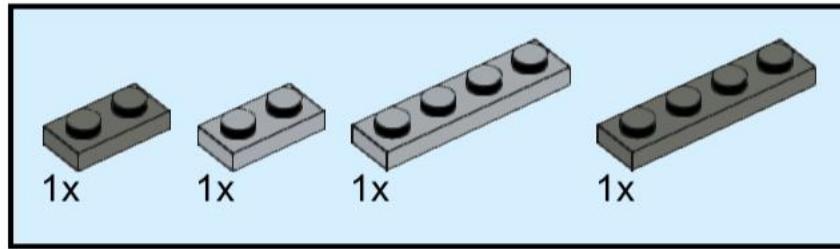
Research Buoy
UNH Marine School

72 pcs

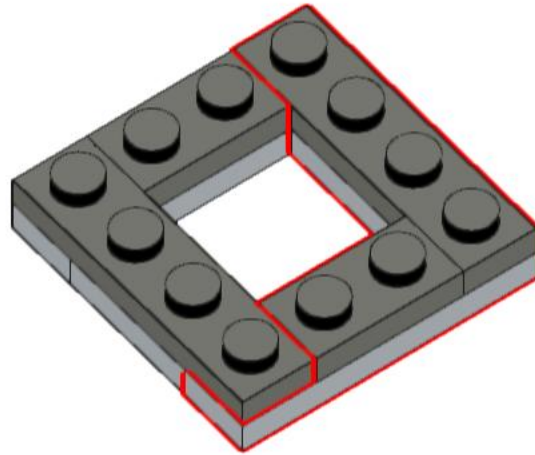
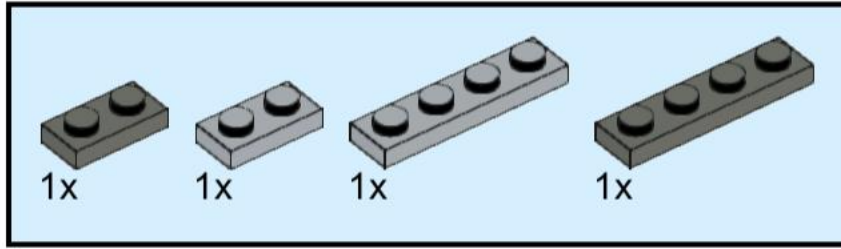


University of New Hampshire
School of Marine Science
and Ocean Engineering

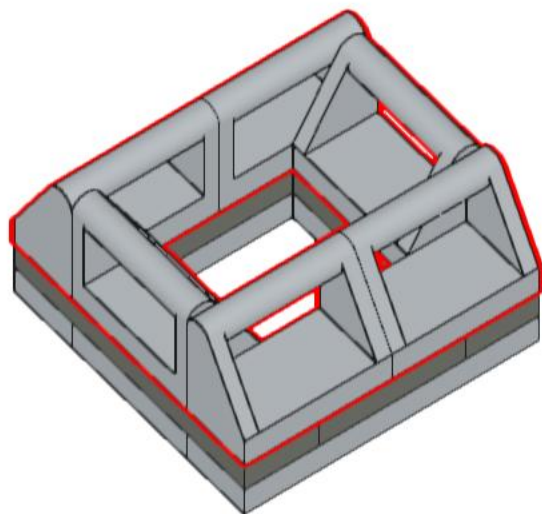
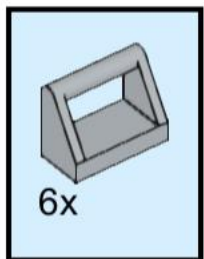
1



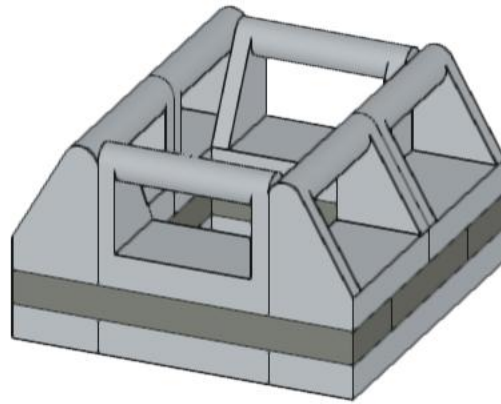
2



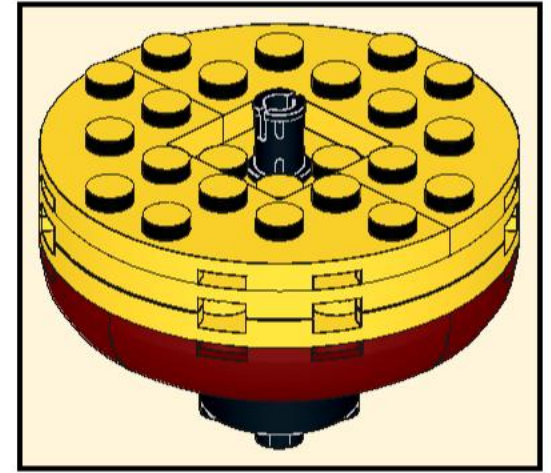
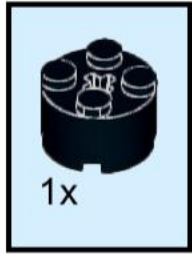
3



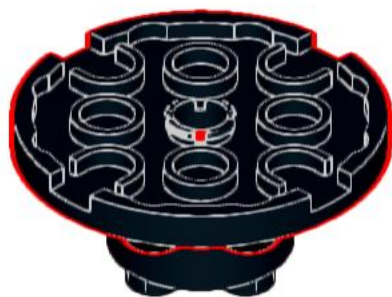
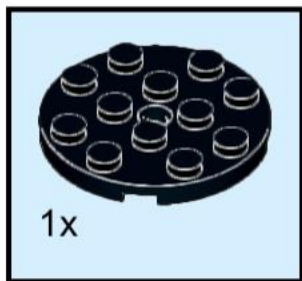
4



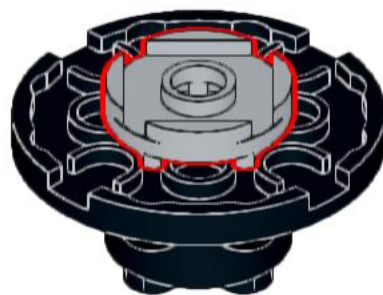
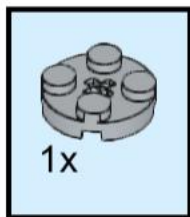
5



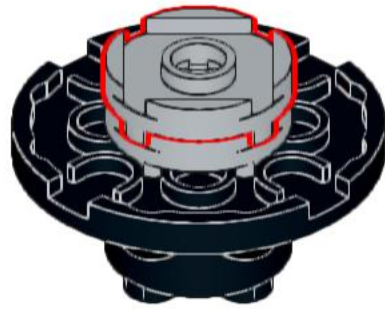
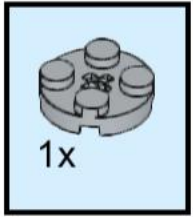
6



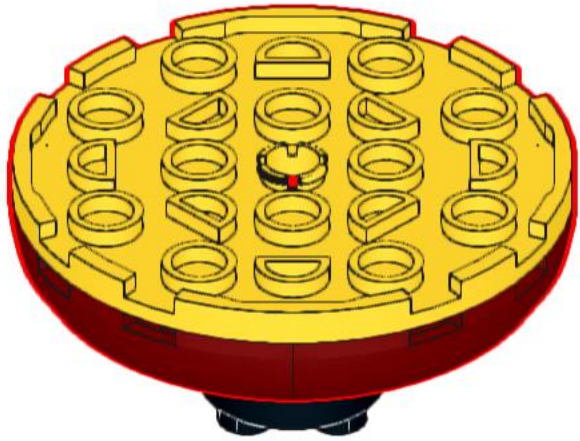
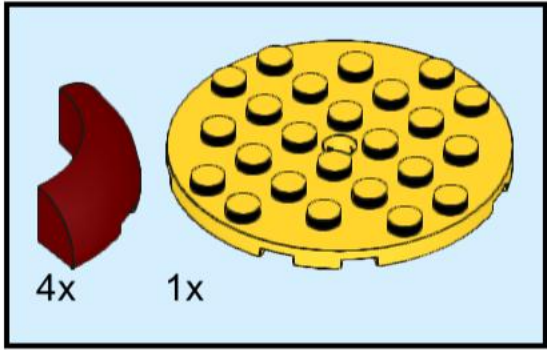
7



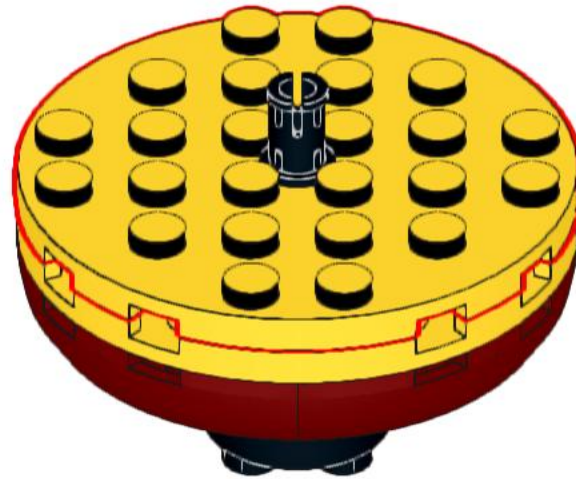
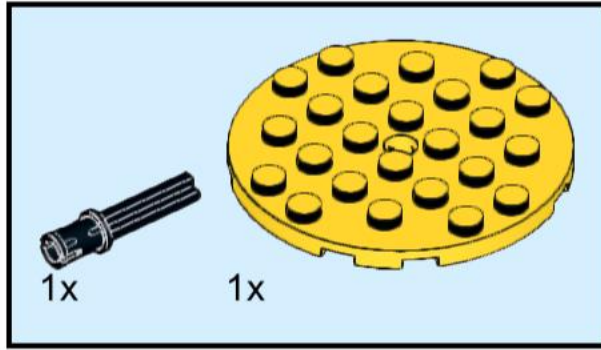
8



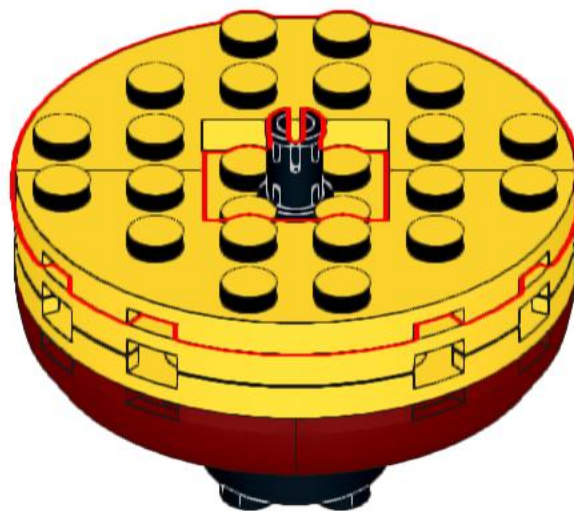
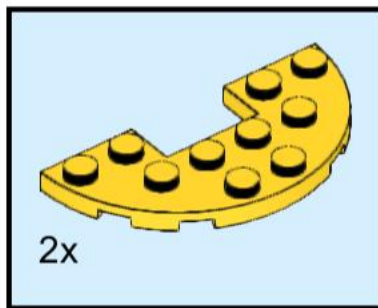
9



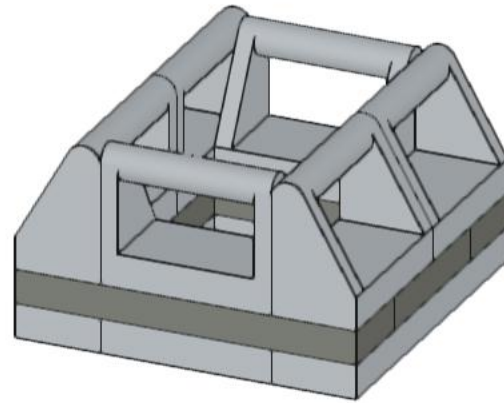
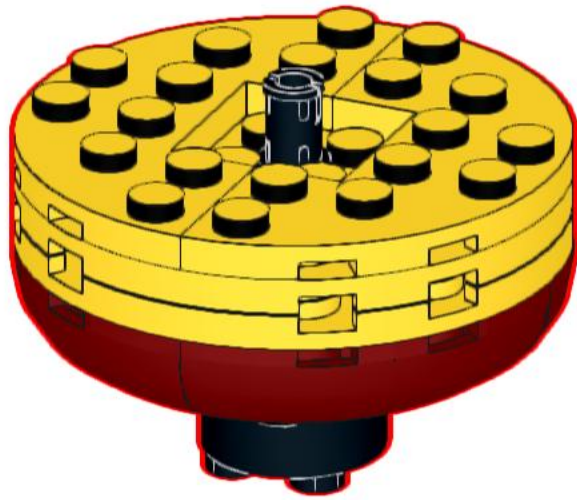
10



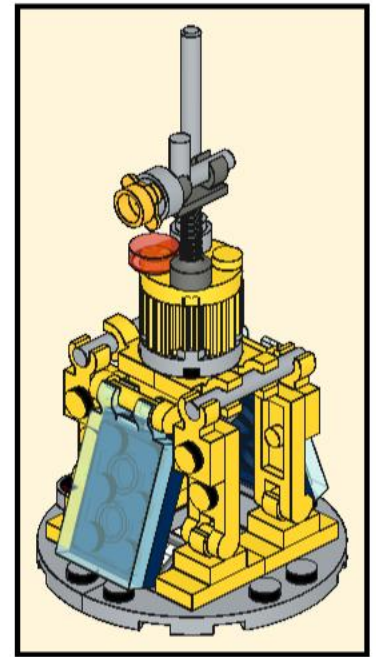
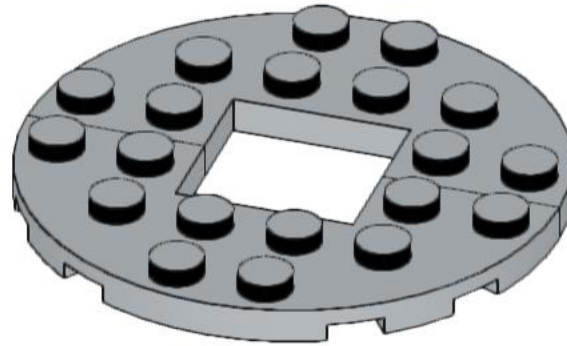
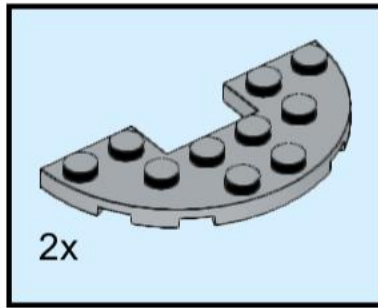
11



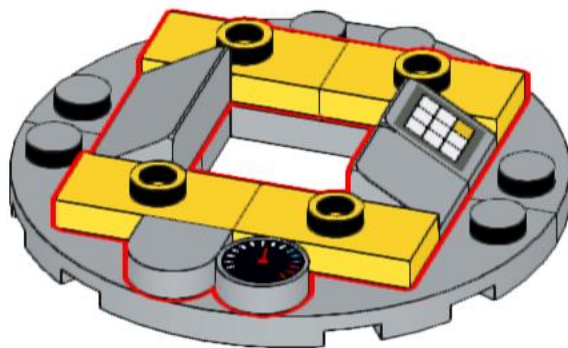
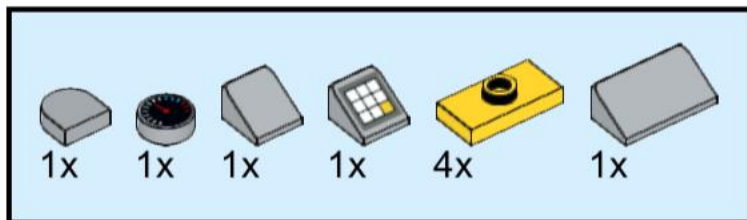
12



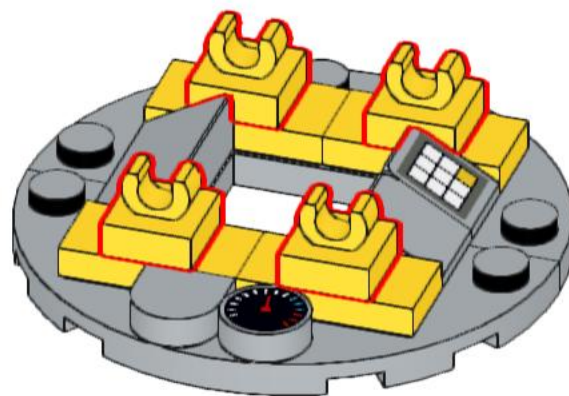
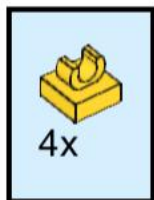
13



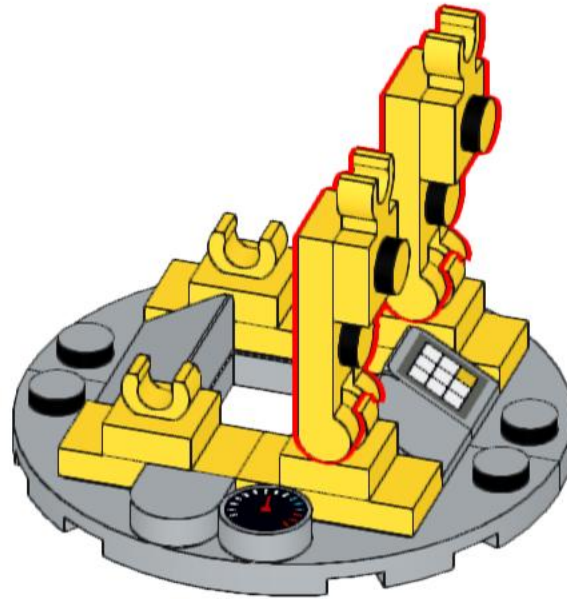
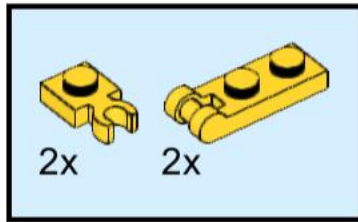
14



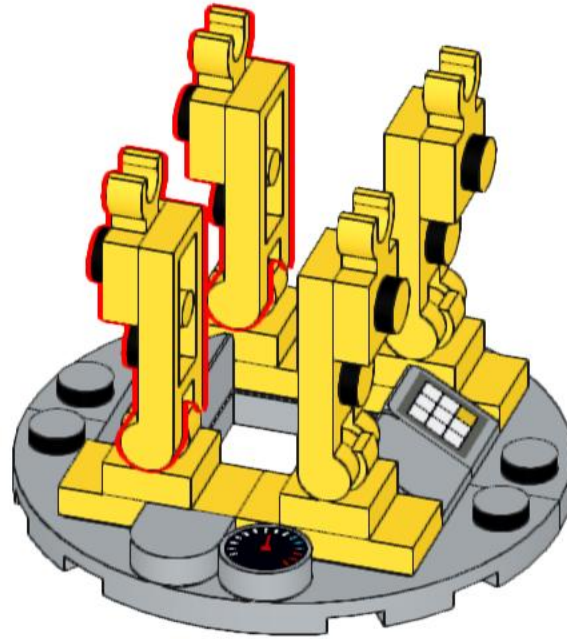
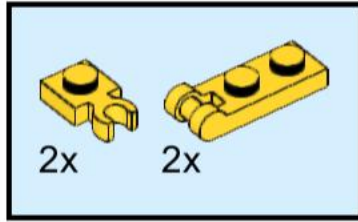
15



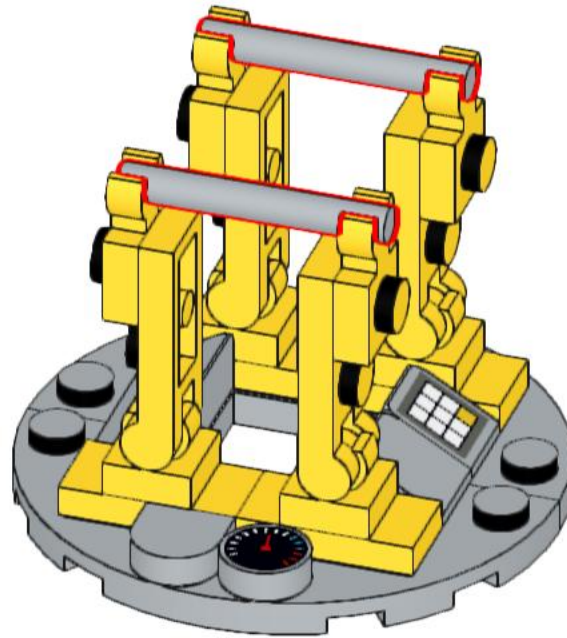
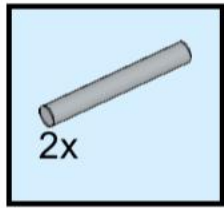
16



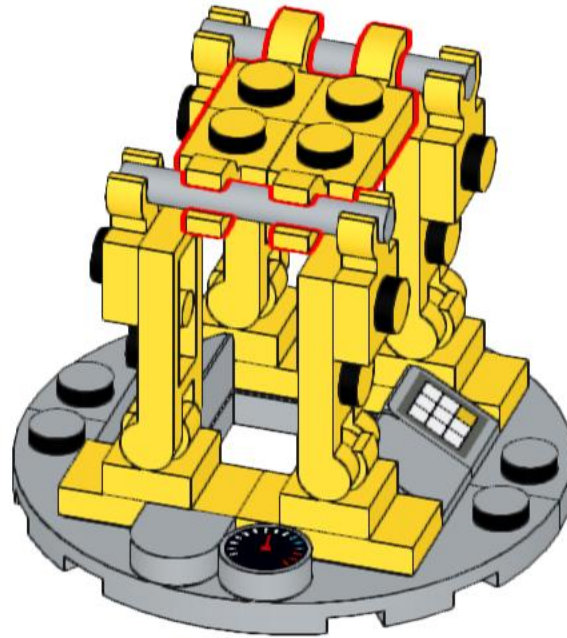
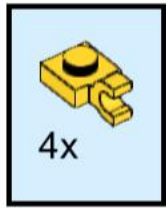
17



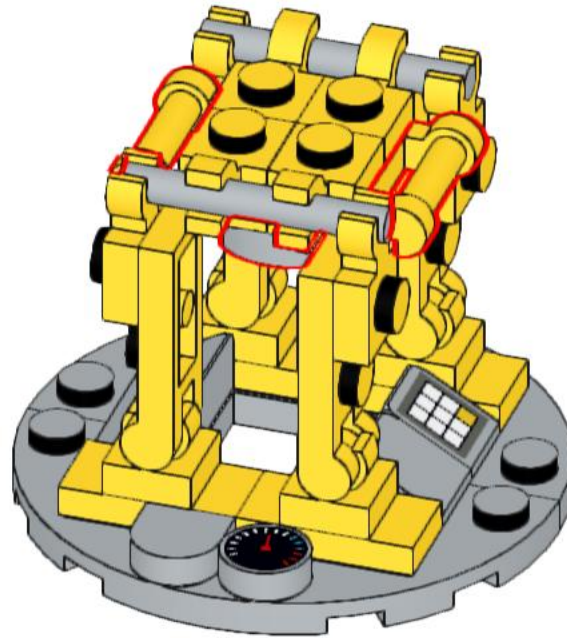
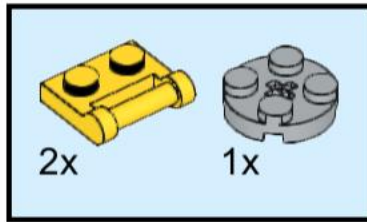
18



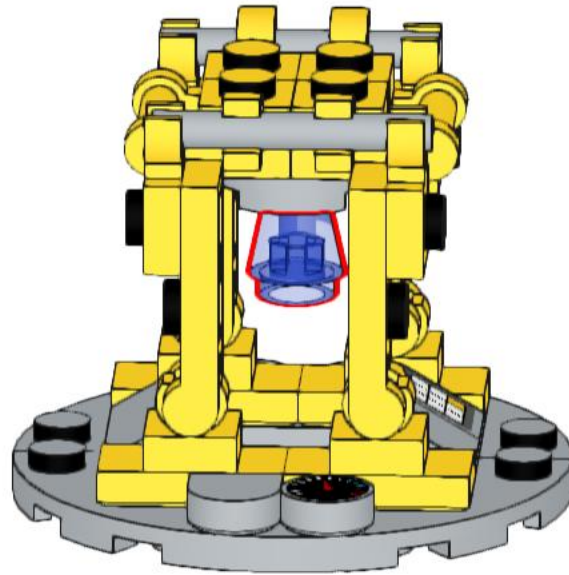
19



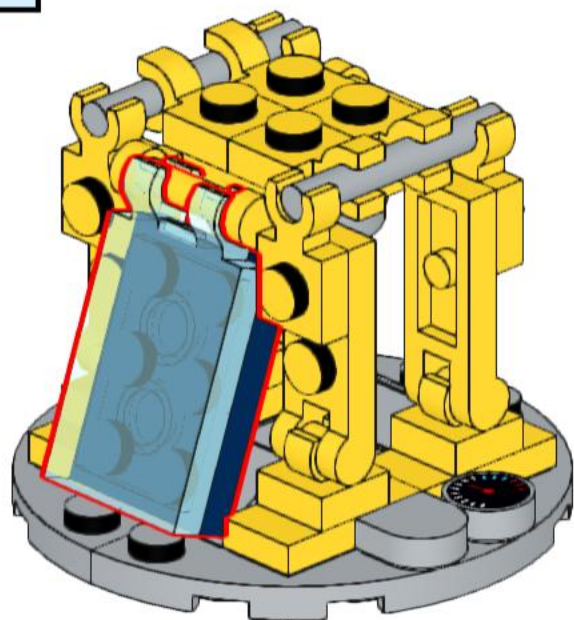
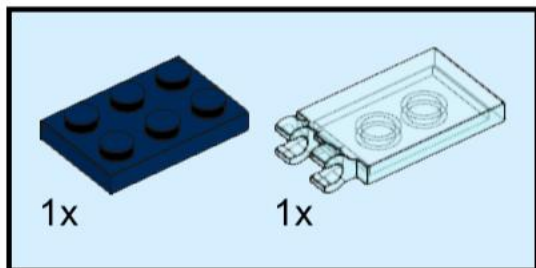
20



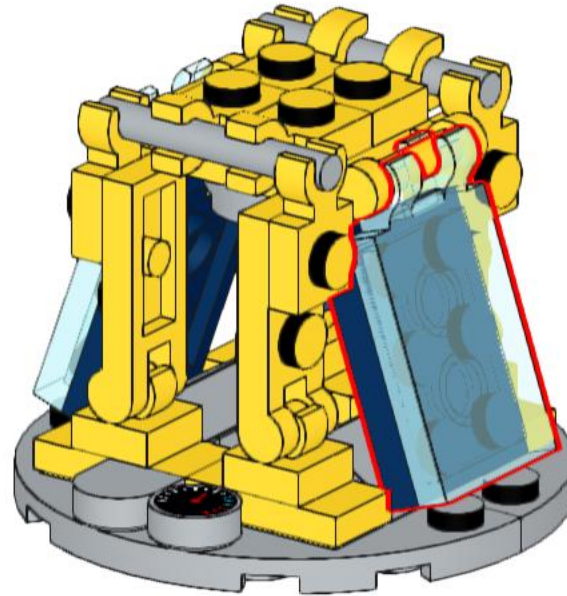
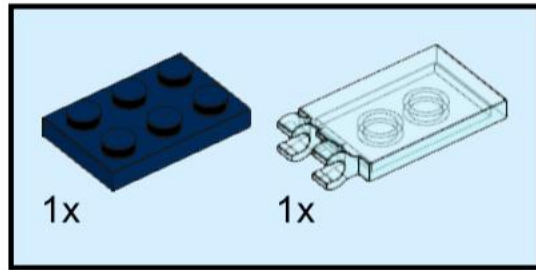
21



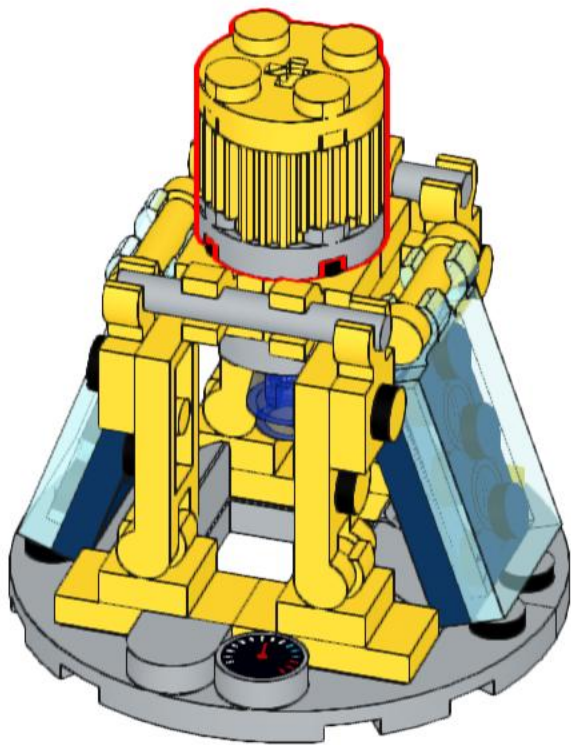
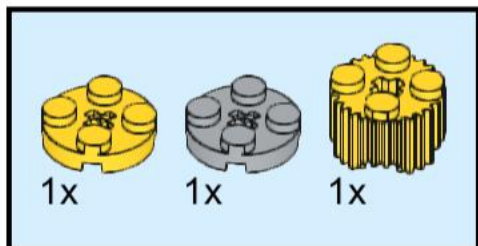
22



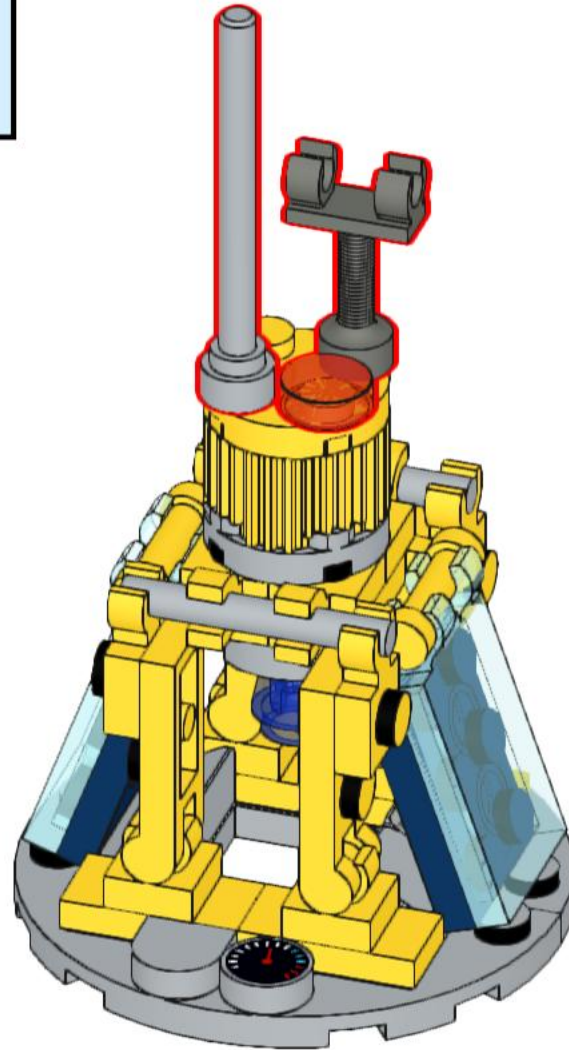
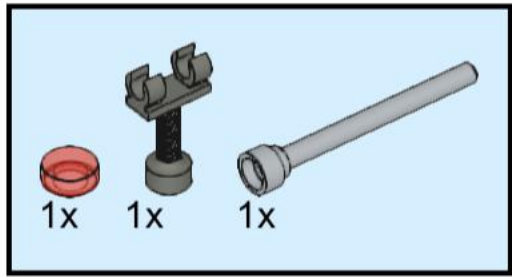
23



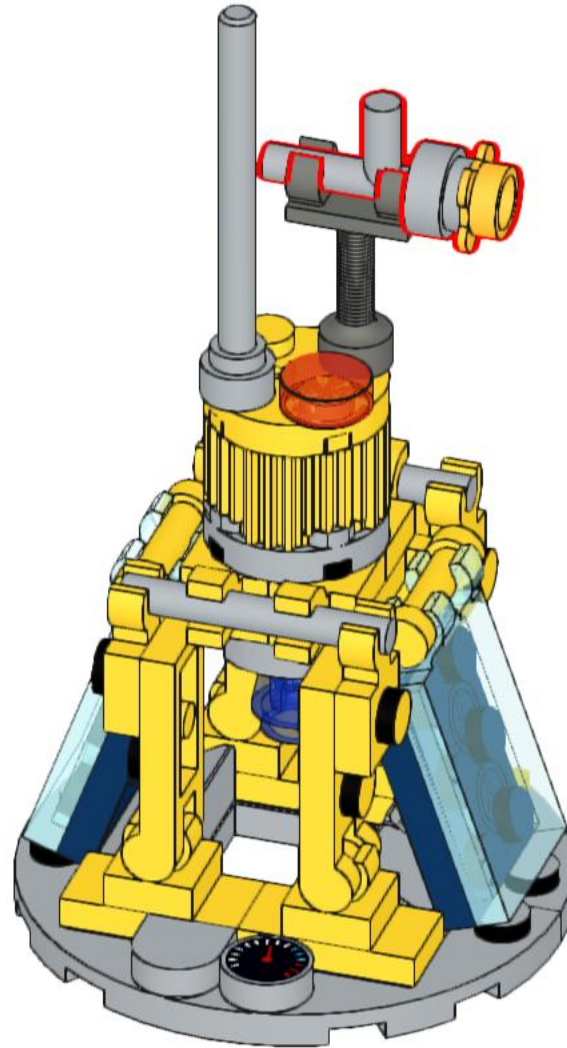
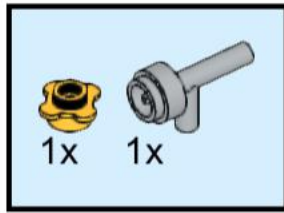
24



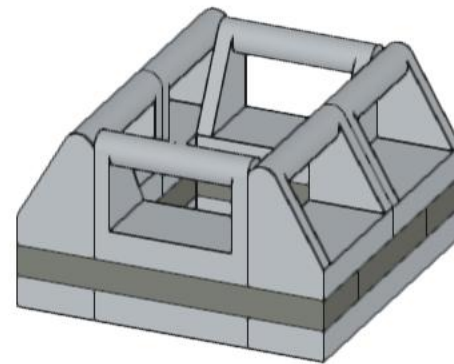
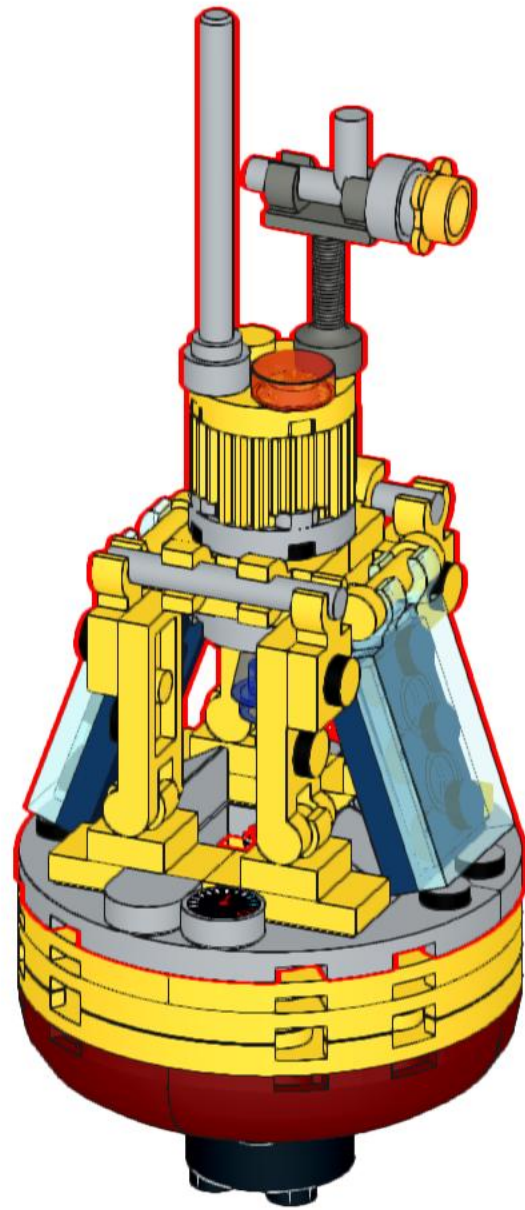
25



26



27







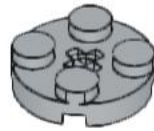
1x
3941
Black



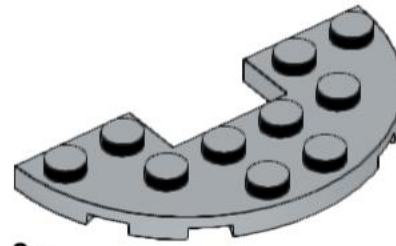
1x
48457
Dark Bluish Gray



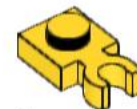
1x
54200pb106
Light Bluish Gray



4x
4032
Light Bluish Gray



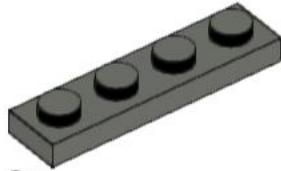
2x
18646
Light Bluish Gray



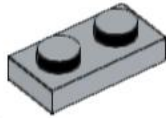
4x
4085d
Yellow



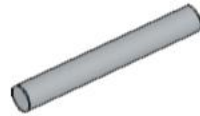
1x
18651
Black



2x
3023
Dark Bluish Gray



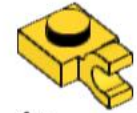
2x
3023
Light Bluish Gray



2x
87994
Light Bluish Gray



4x
65617
Dark Red



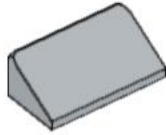
4x
6019
Yellow



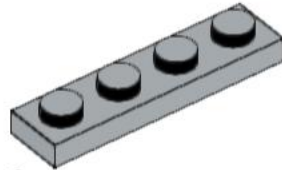
1x
60474
Black



1x
98138pb175
Light Bluish Gray



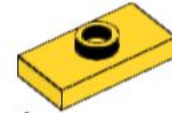
1x
85984
Light Bluish Gray



2x
3710
Light Bluish Gray



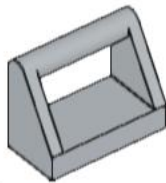
1x
33291
Bright Light Orange



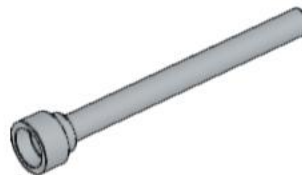
4x
3794b
Yellow



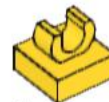
1x
24246
Light Bluish Gray



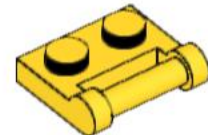
6x
2432
Light Bluish Gray



1x
3957b
Light Bluish Gray



4x
15712
Yellow



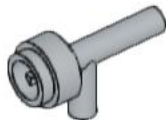
2x
48336
Yellow



2x
3023
Dark Bluish Gray



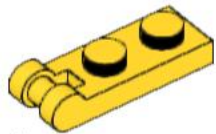
1x
54200
Light Bluish Gray



1x
86208
Light Bluish Gray



1x
4032
Yellow



4x
60478
Yellow



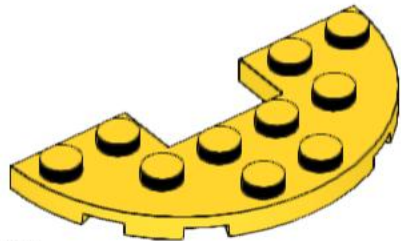
2x
3021
Dark Blue



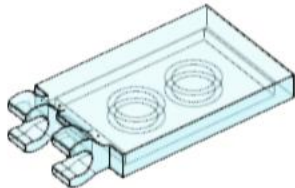
1x
92947
Yellow



1x
98138
Trans-Red



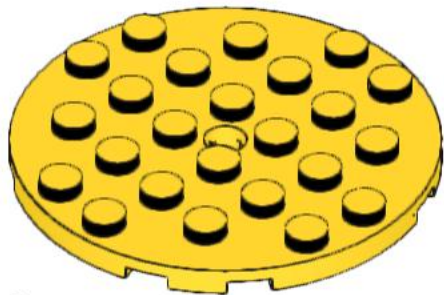
2x
18646
Yellow



2x
30350b
Trans-Light Blue



1x
4589
Trans-Dark Blue



2x
11213
Yellow

UNH CCOM/JHC is responsible for the contents of this booklet.

Model(s) and booklet designed by Will Fessenden, 2023.

Edited by Colleen Mitchell.



Visit our website: <https://ccom.unh.edu>

Check out the rest of our models here: <https://ccom.unh.edu/lego-model-instructions>

And visit the UNH School of Marine Science and Ocean Engineering website: <https://marine.unh.edu/>

