



OCEAN DISCOVERY



6+

C2304

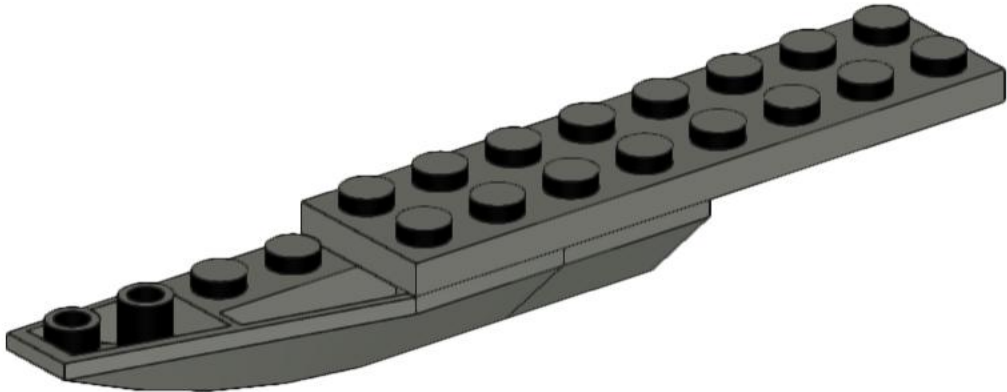
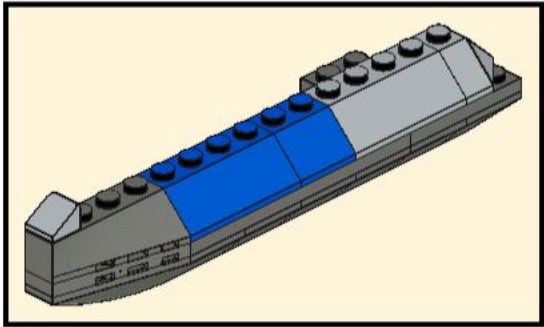
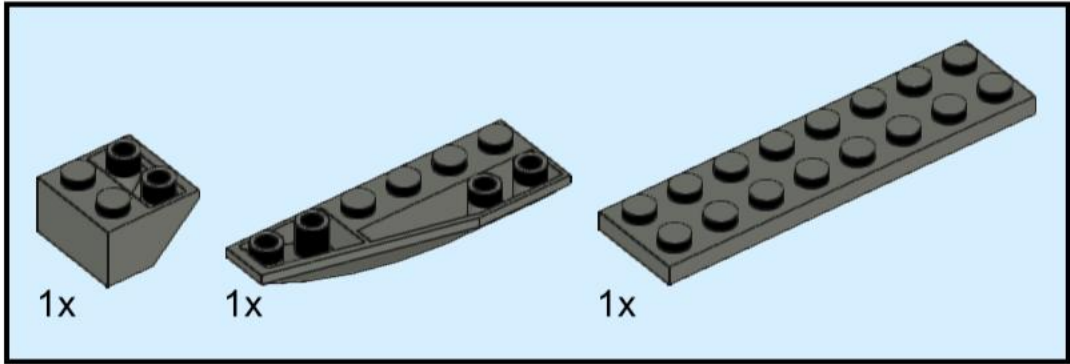
Zego Boat Survey System
UNH CCOM/JHC

164 pcs

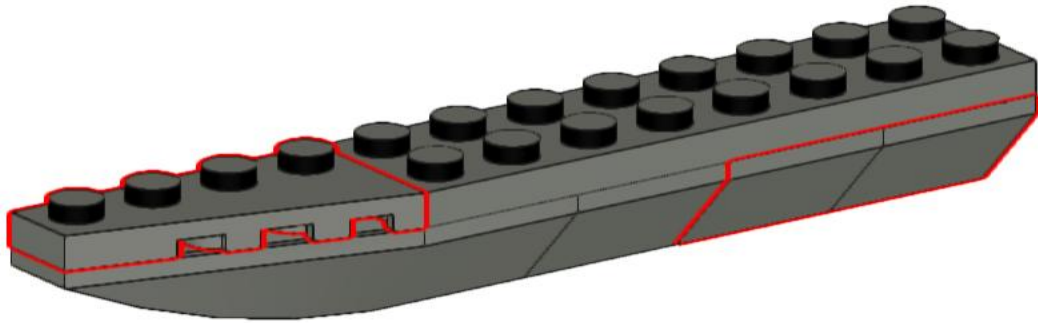
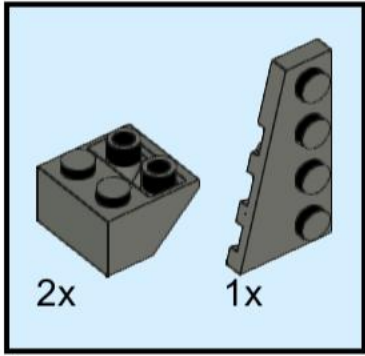


Center for Coastal
and Ocean Mapping
Joint Hydrographic Center

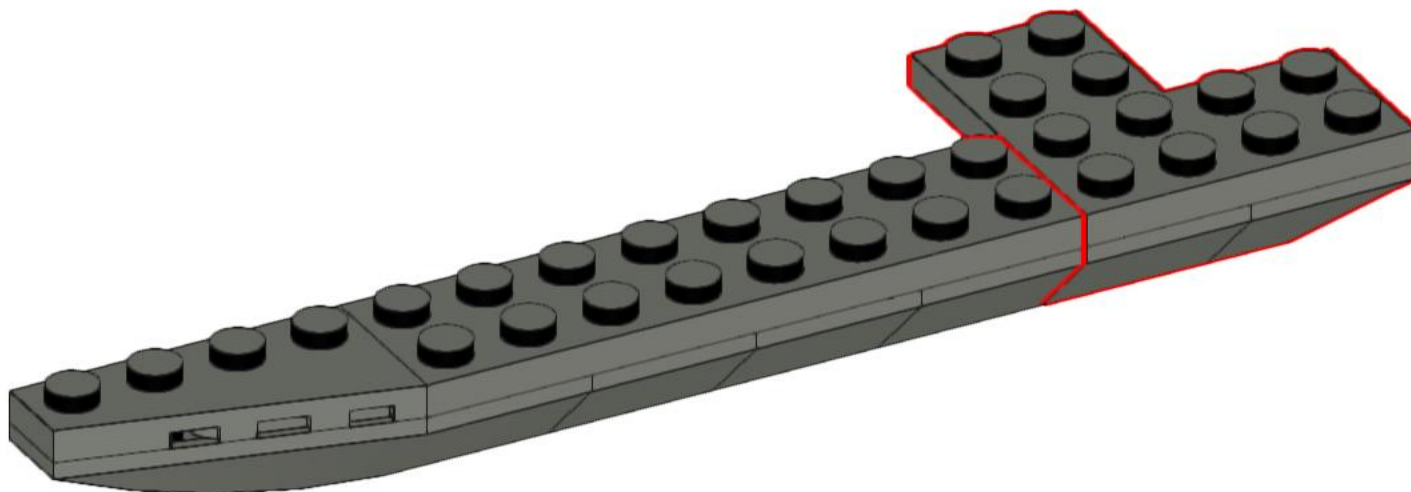
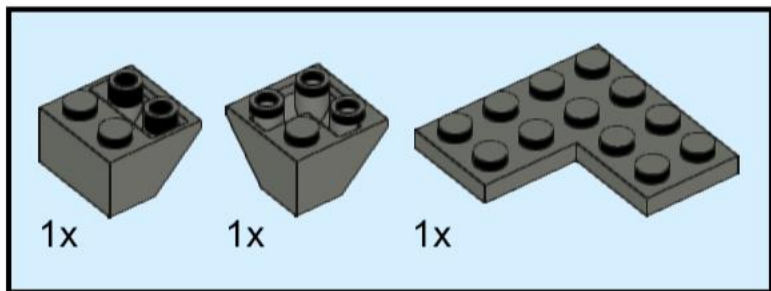
1



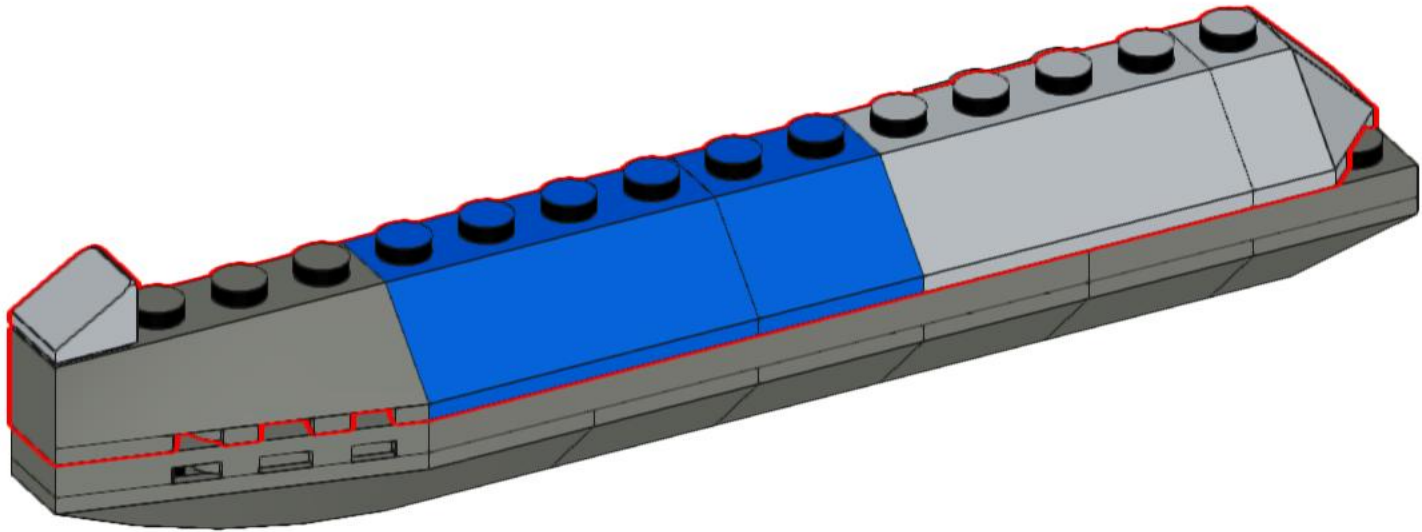
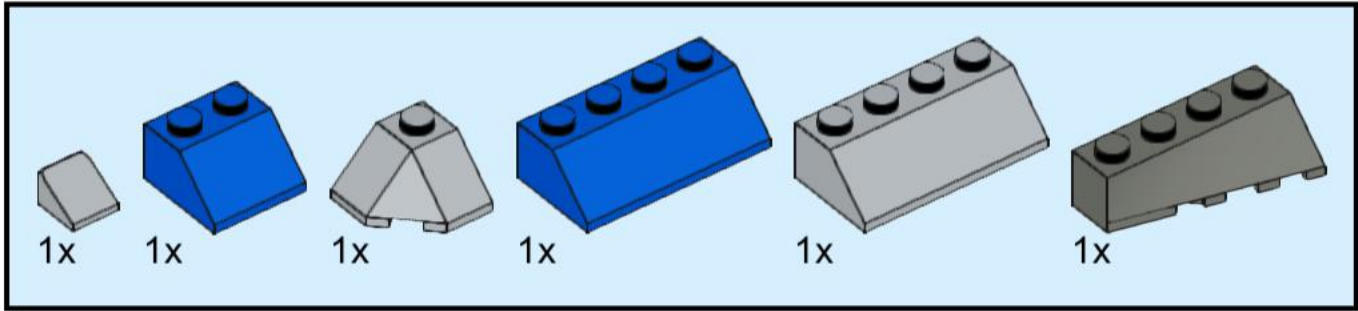
2



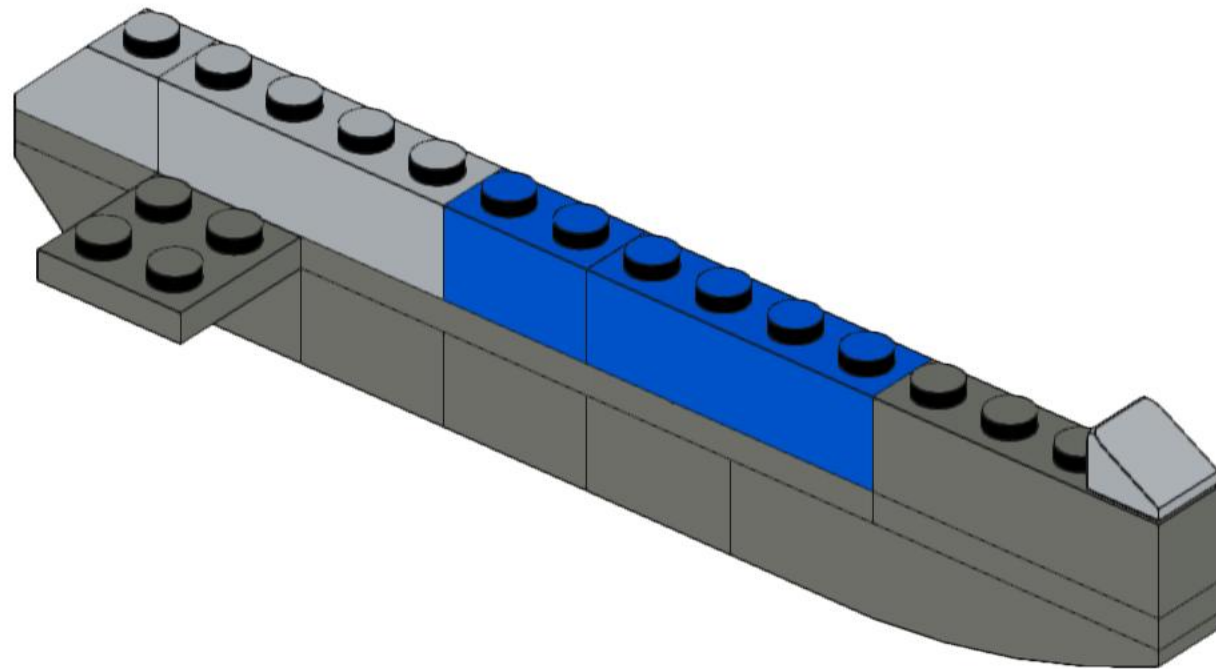
3



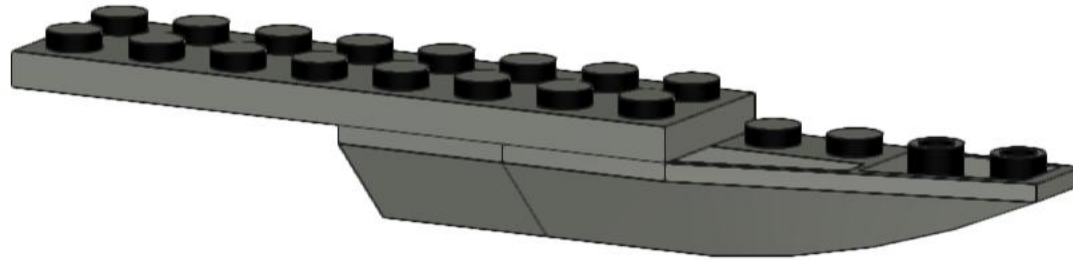
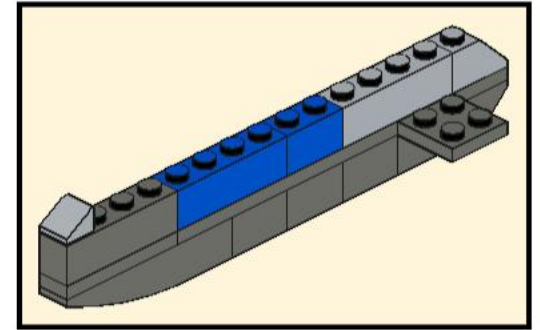
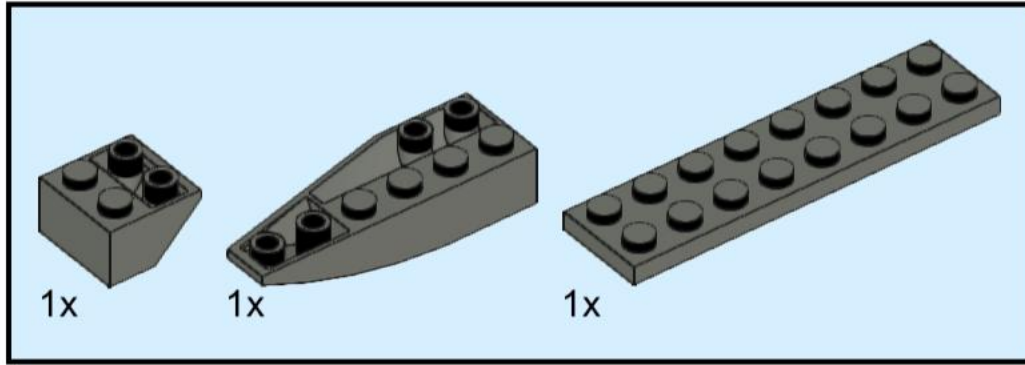
4



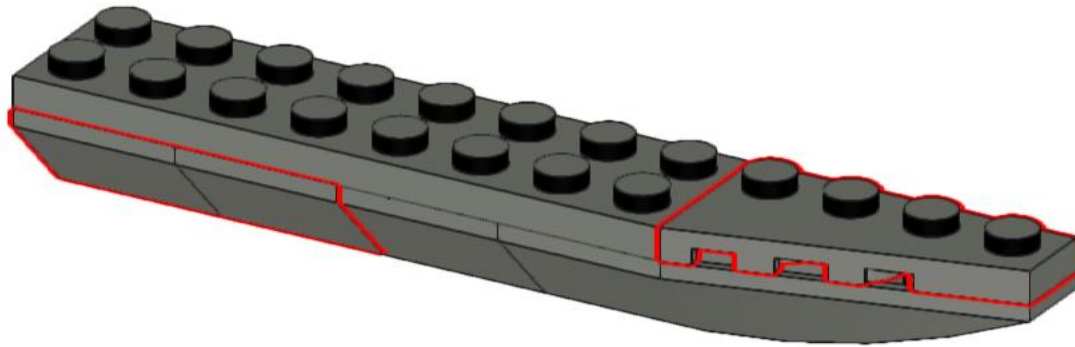
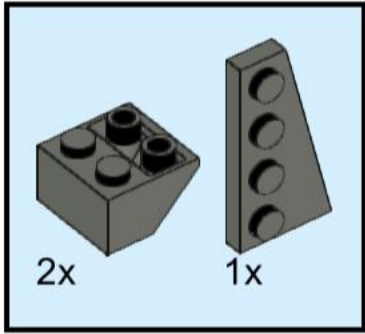
5



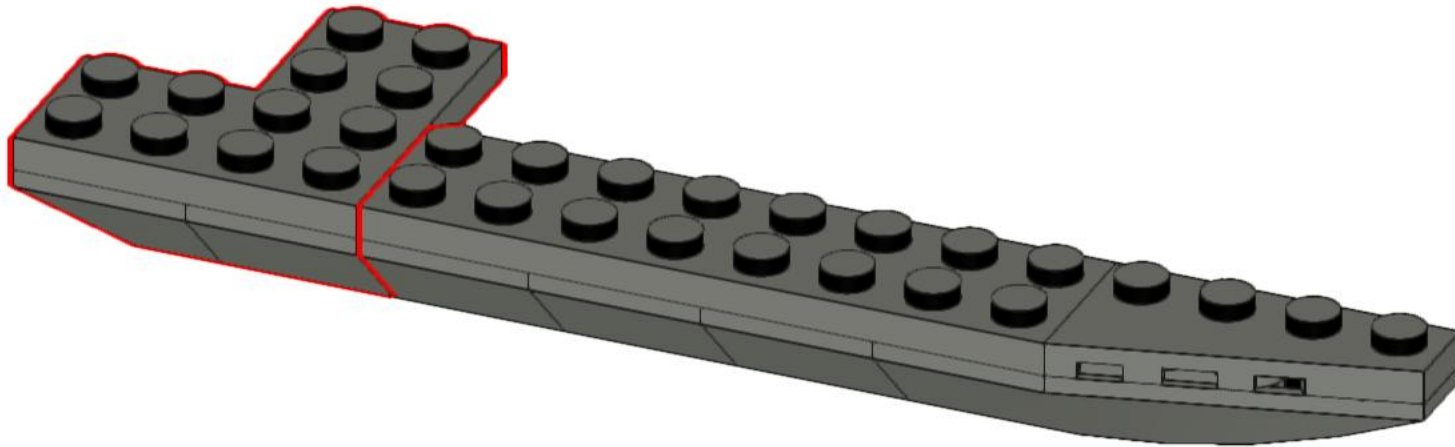
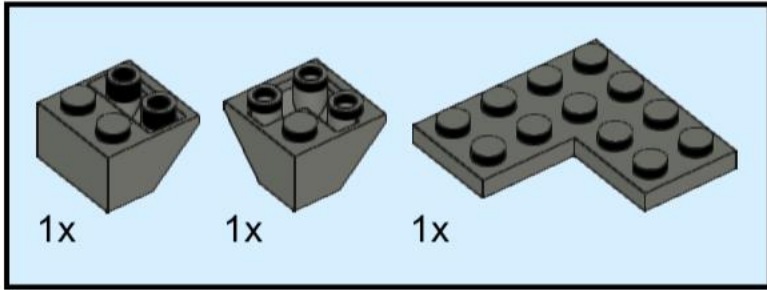
6



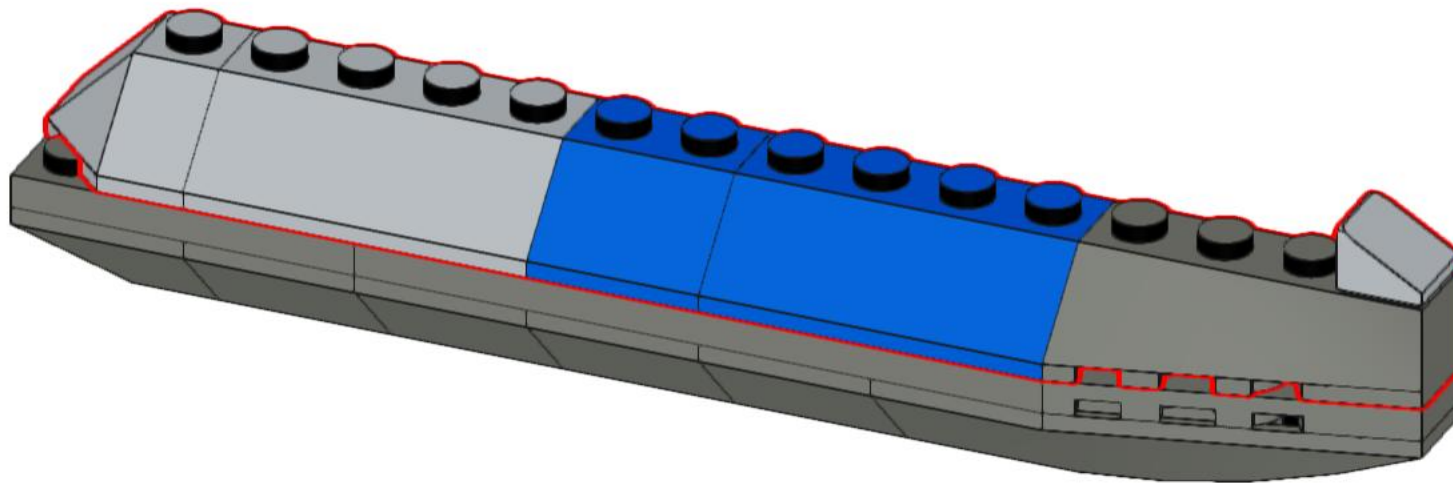
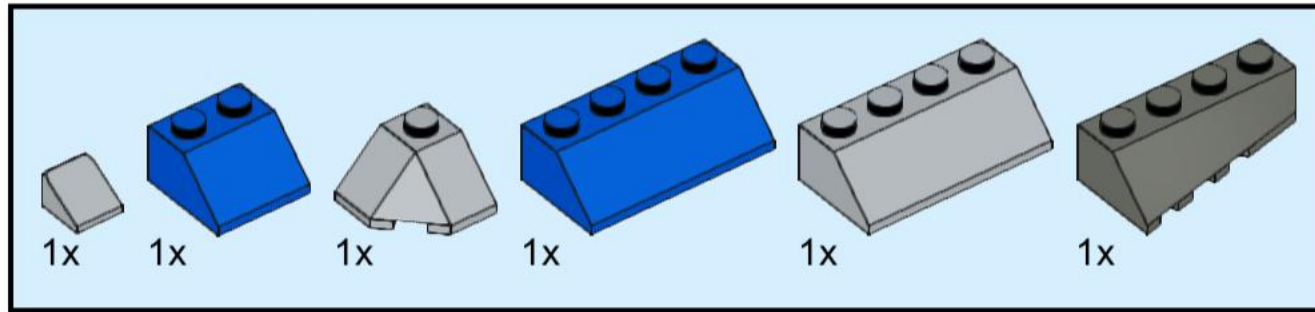
7



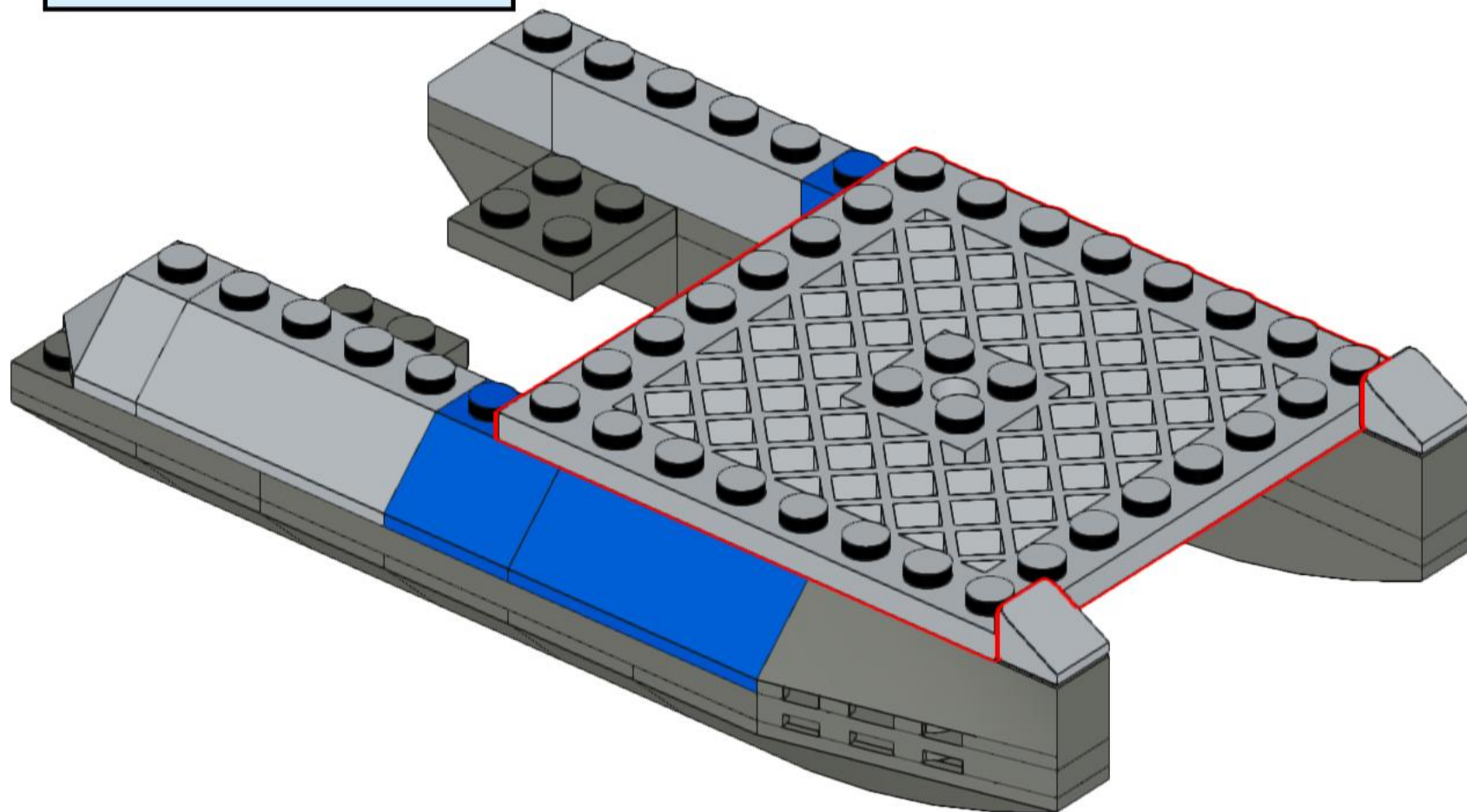
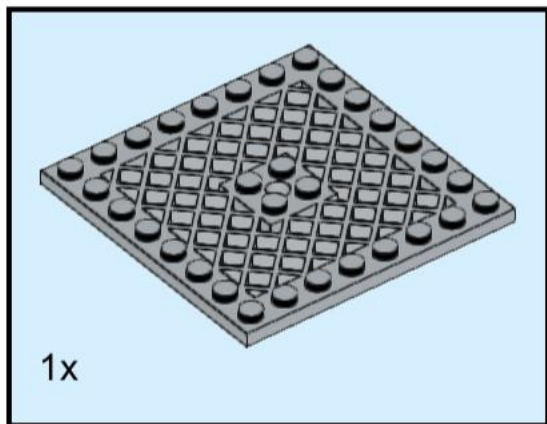
8



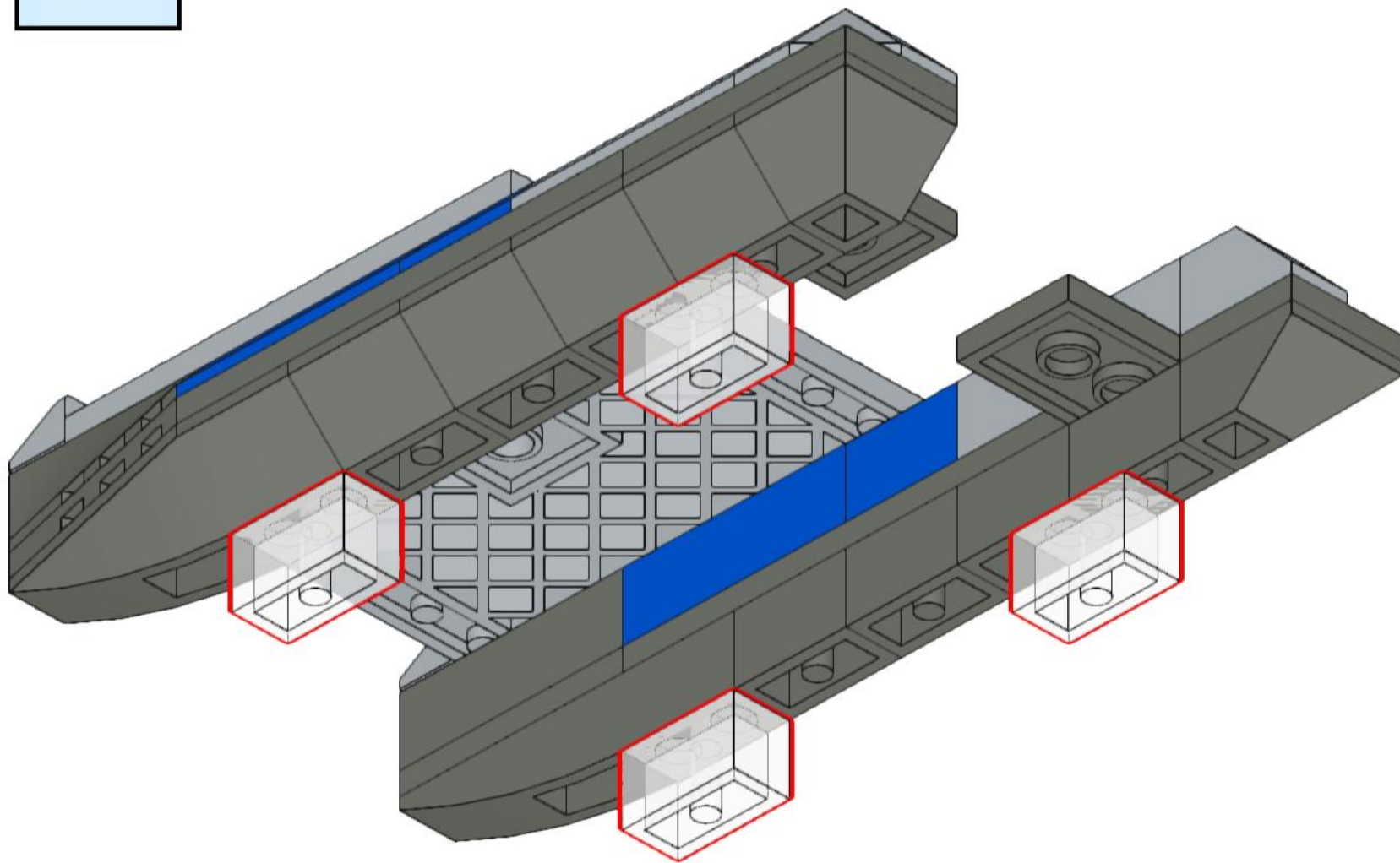
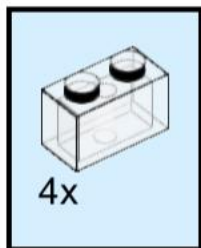
9



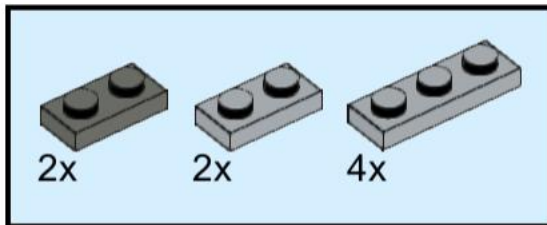
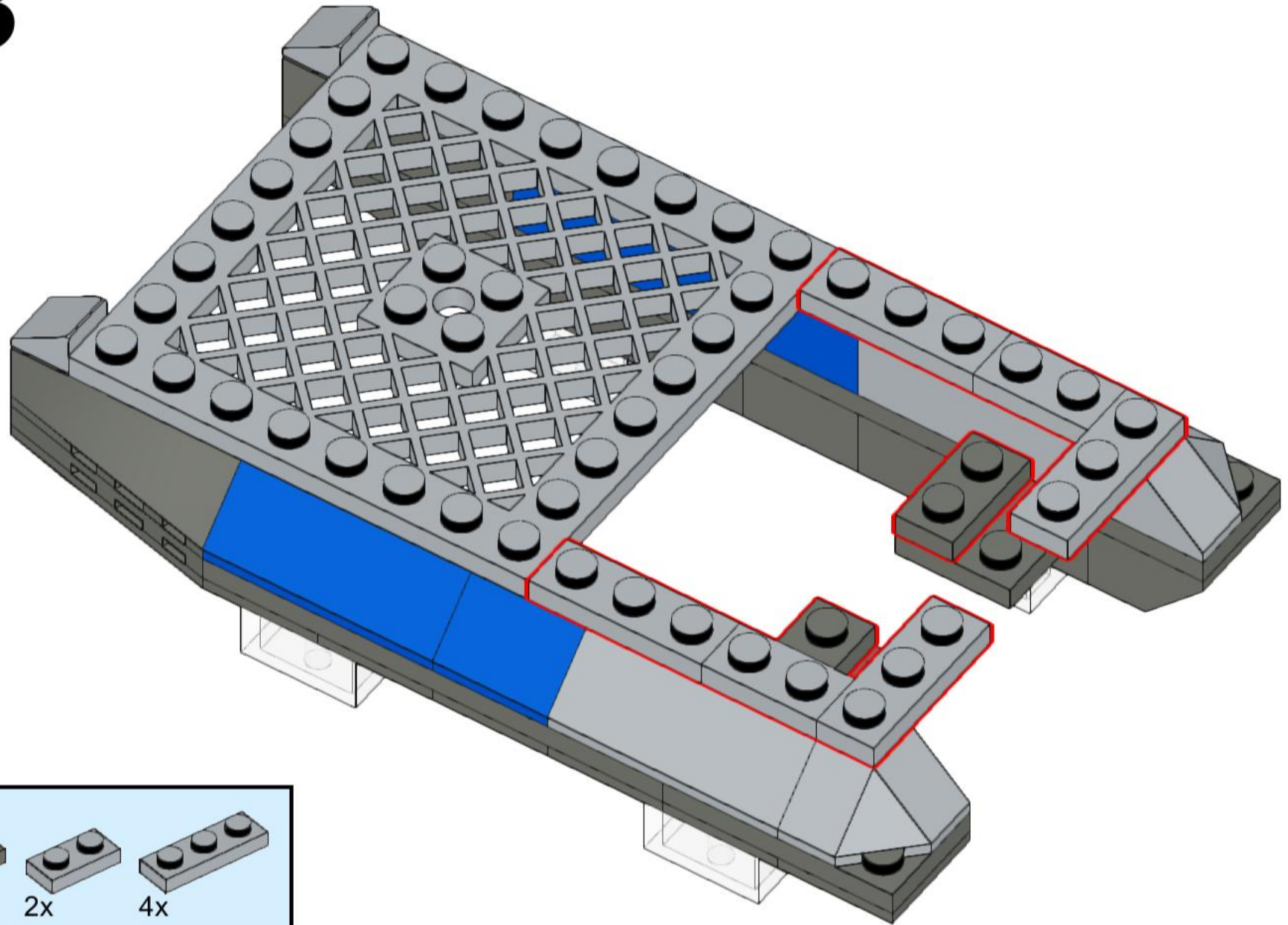
11



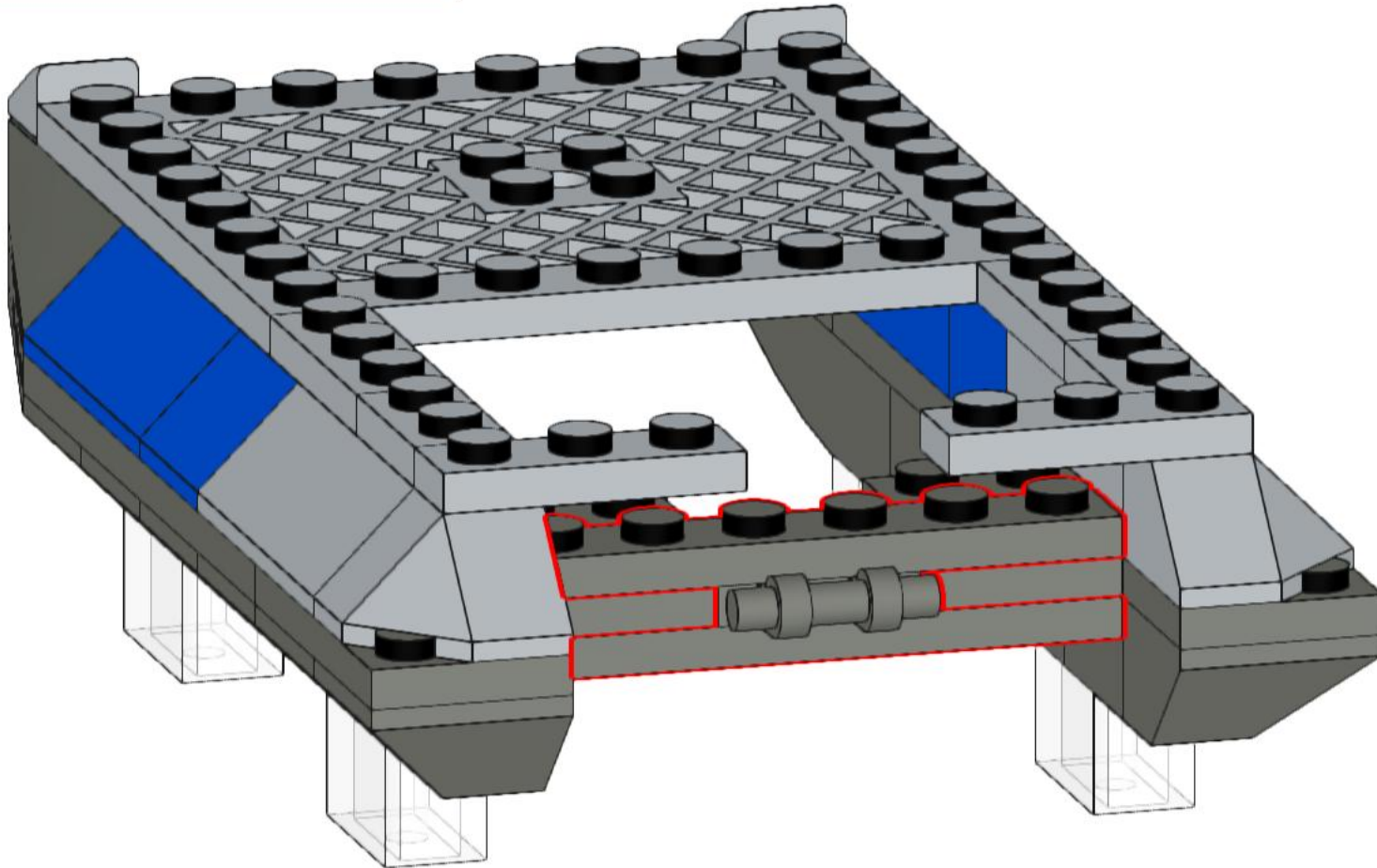
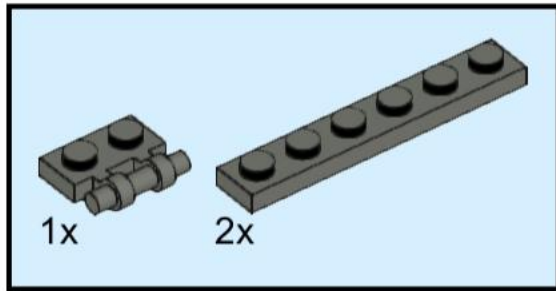
12



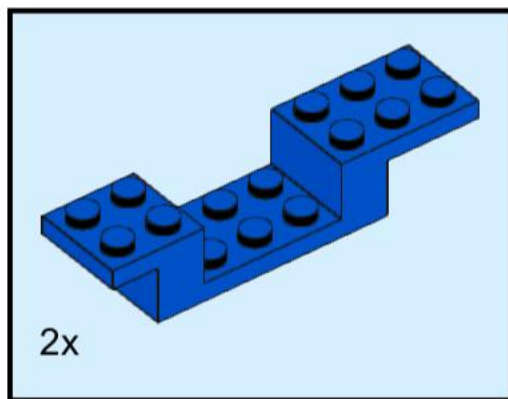
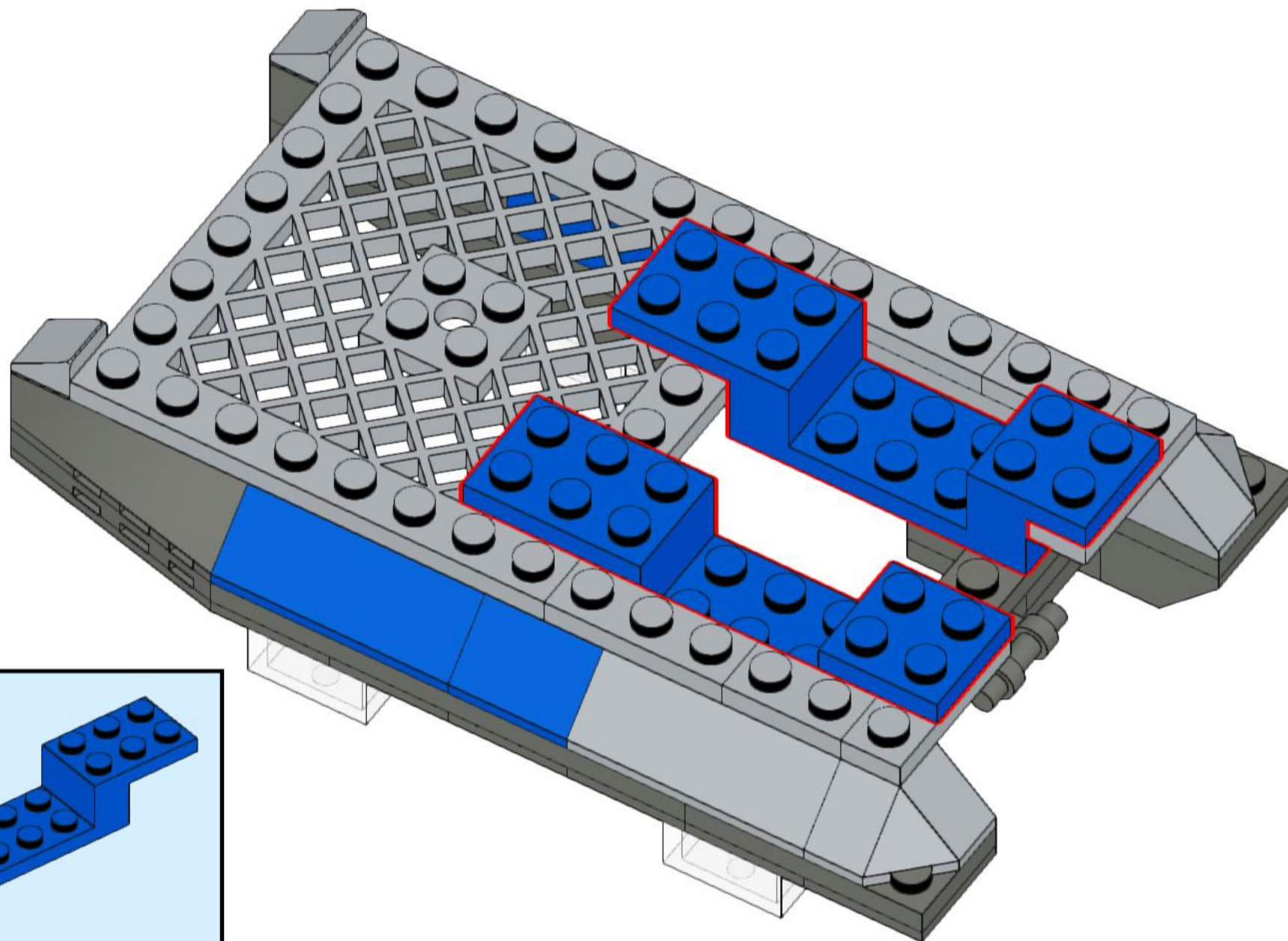
13



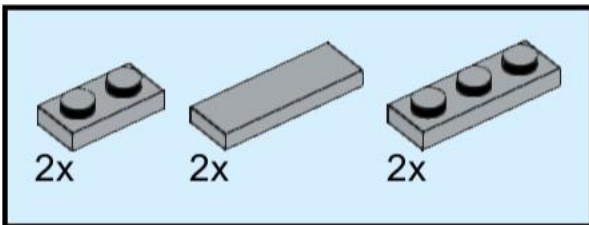
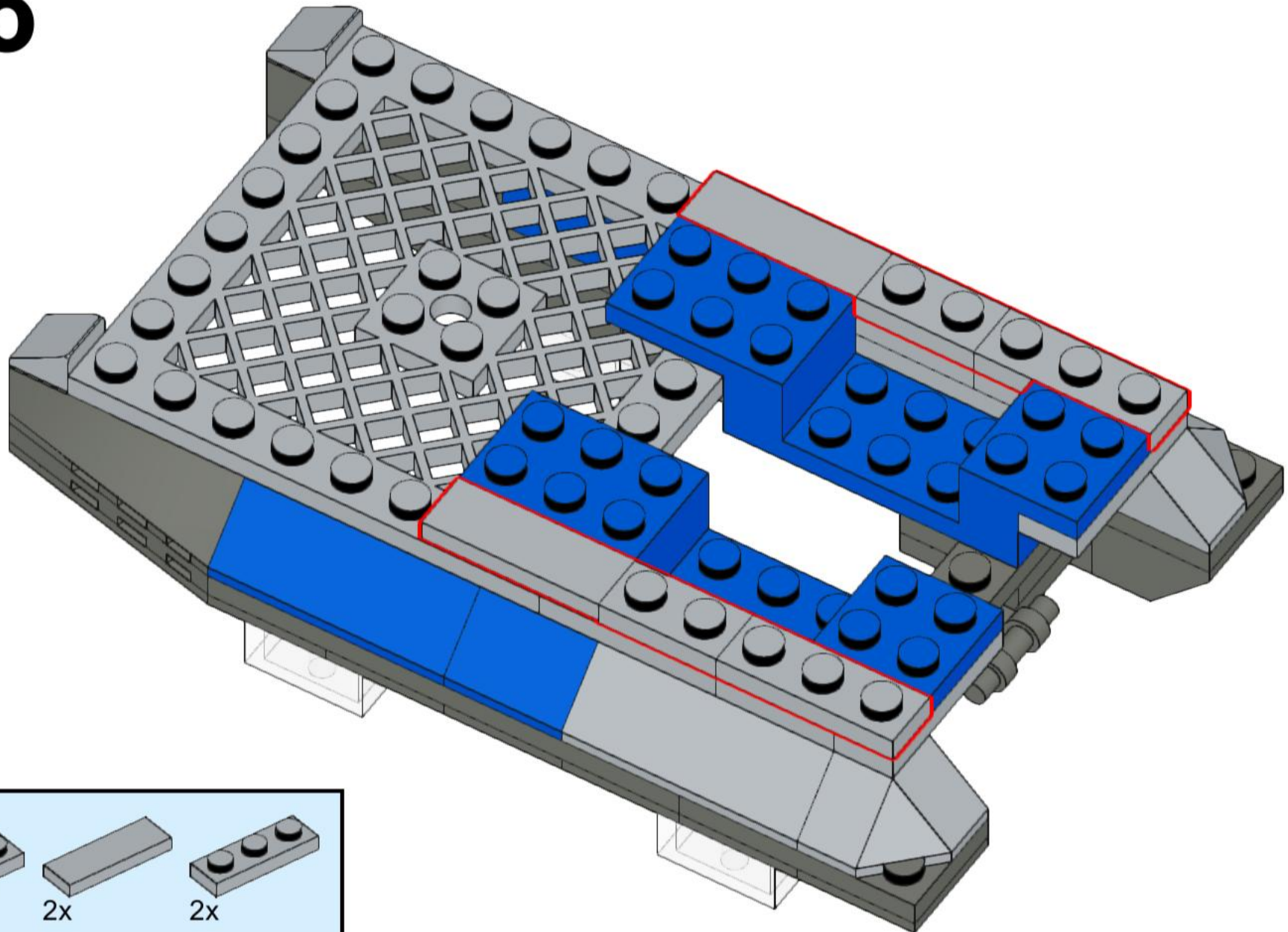
14



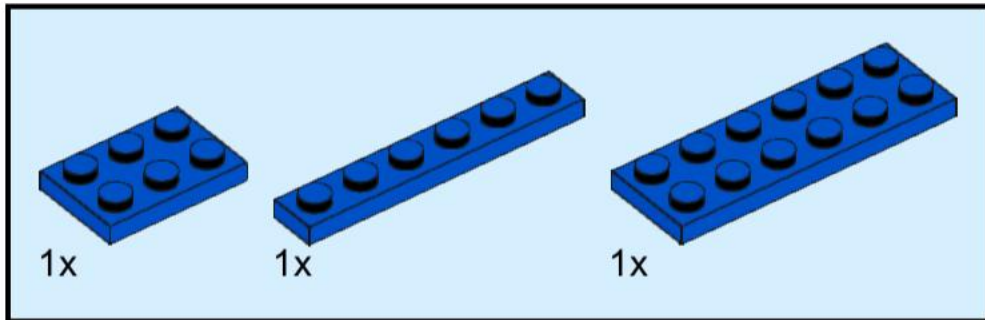
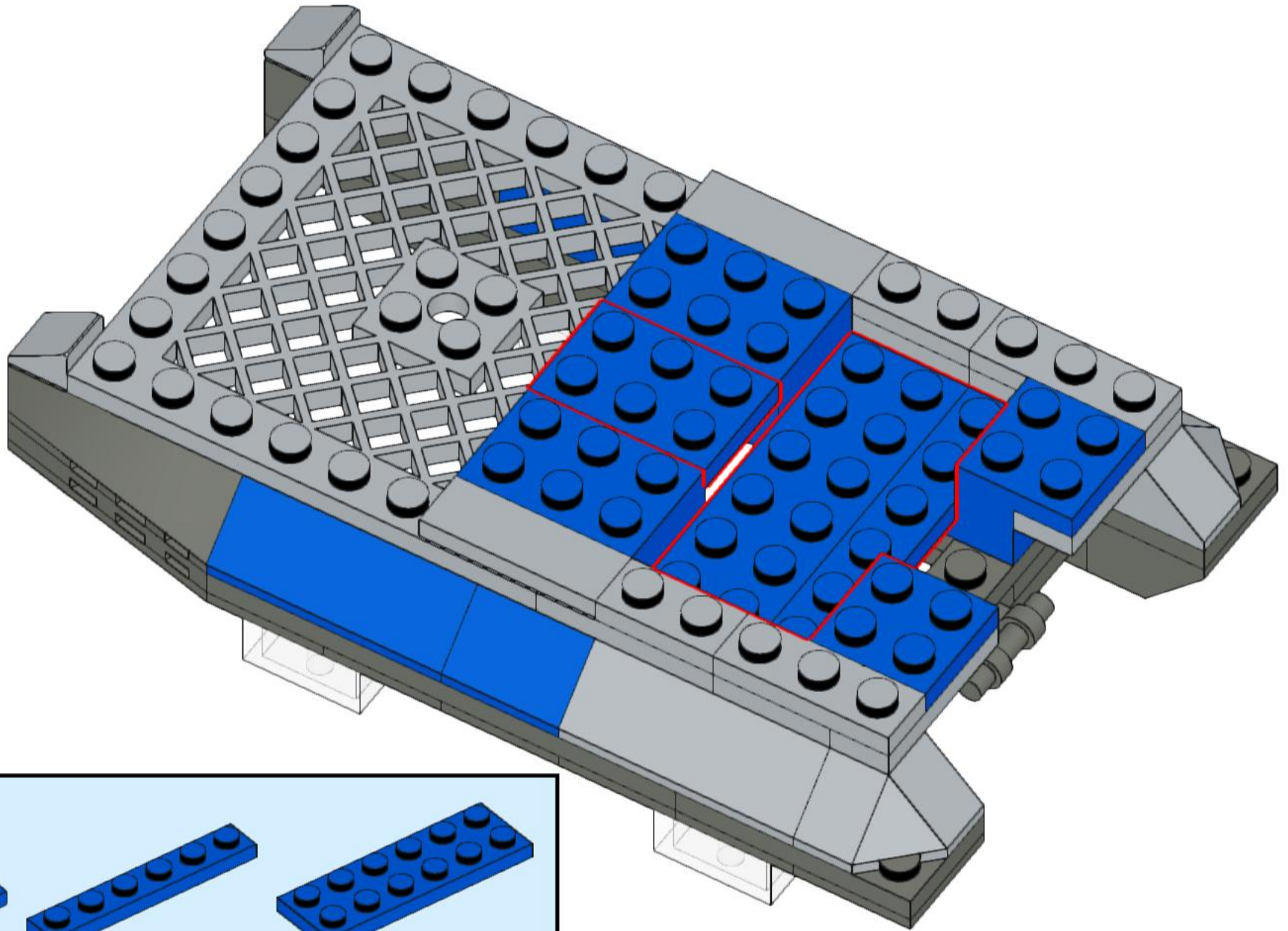
15



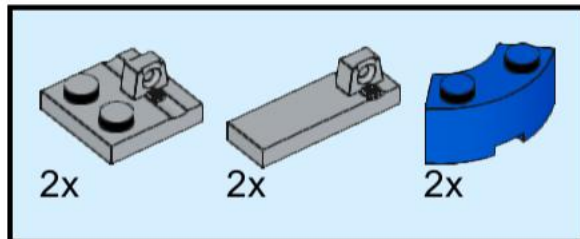
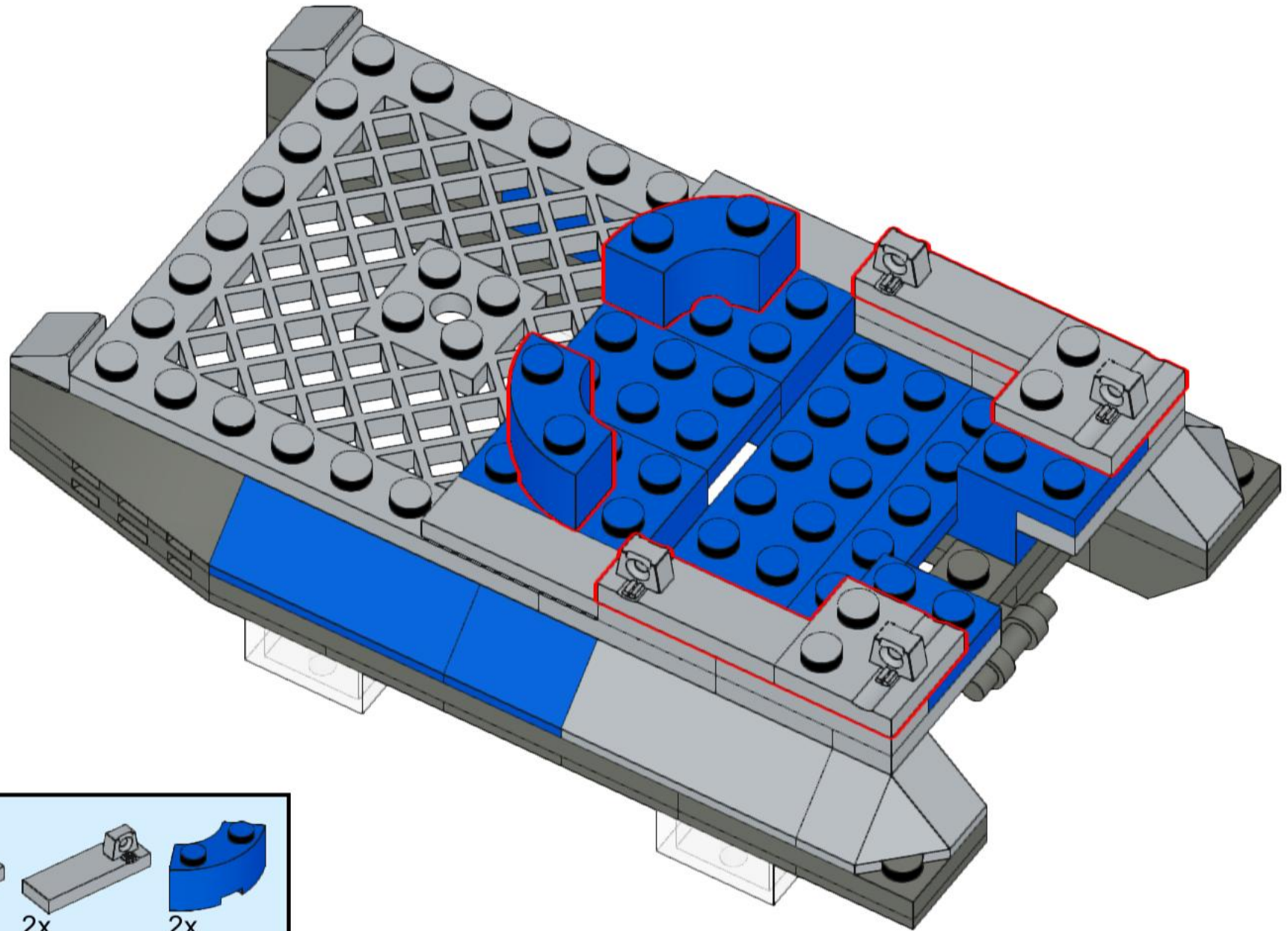
16



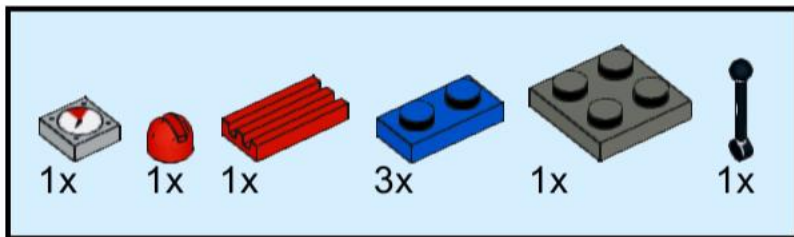
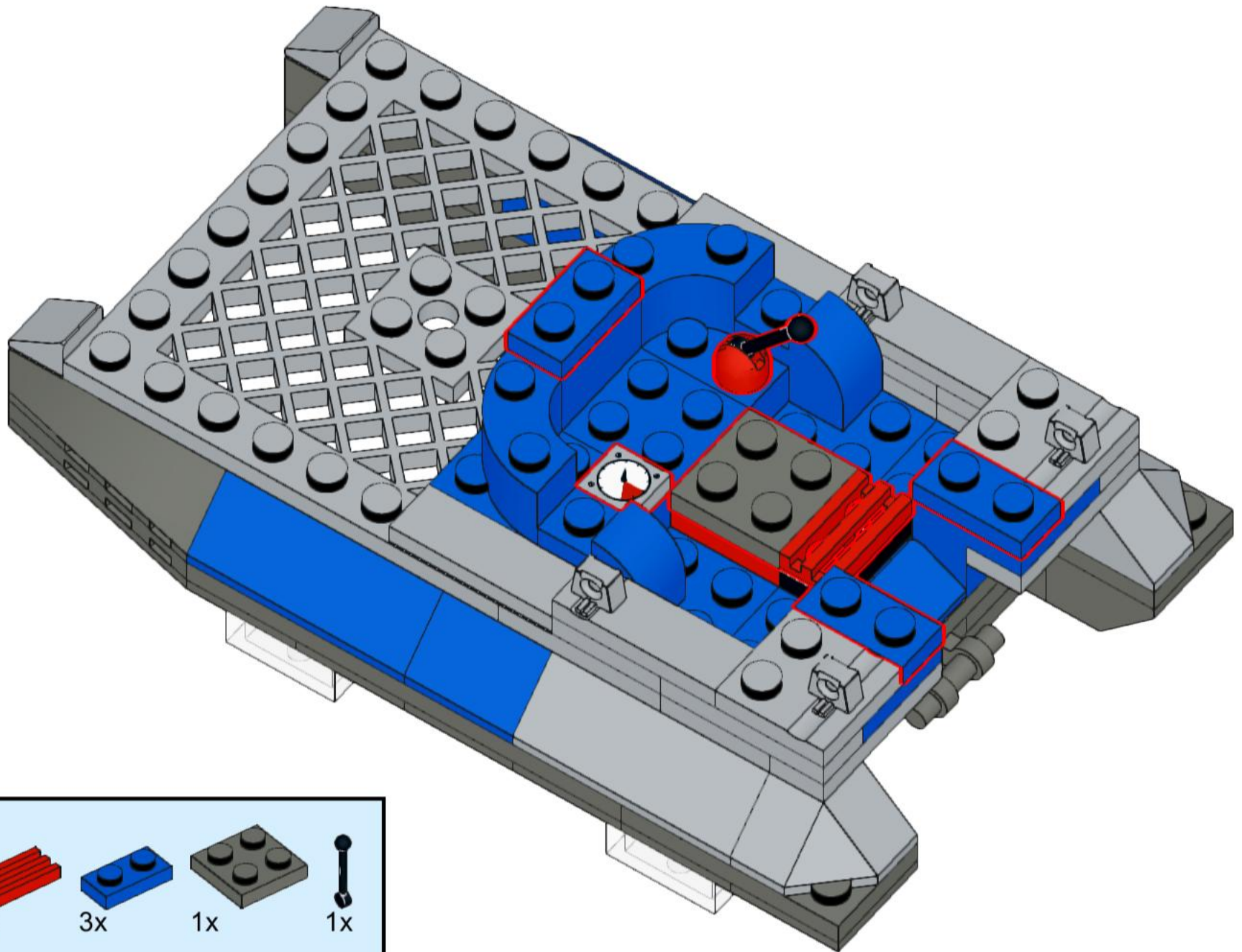
17



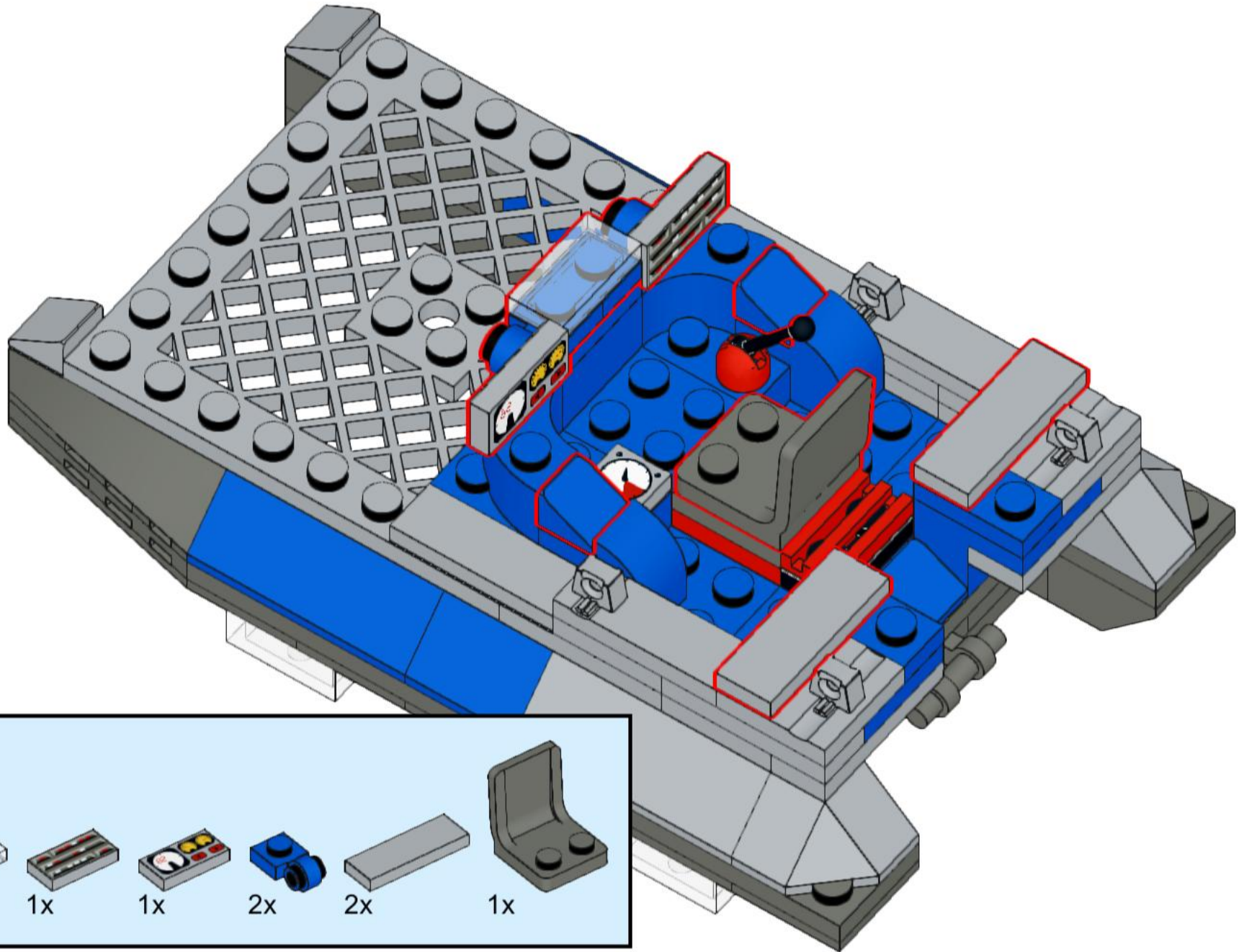
18



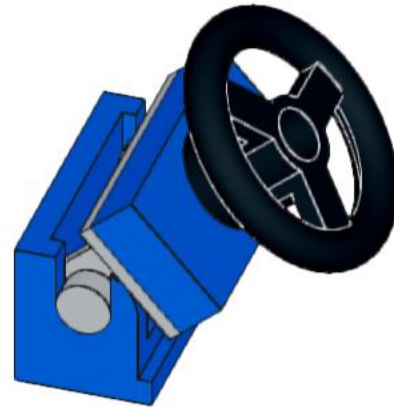
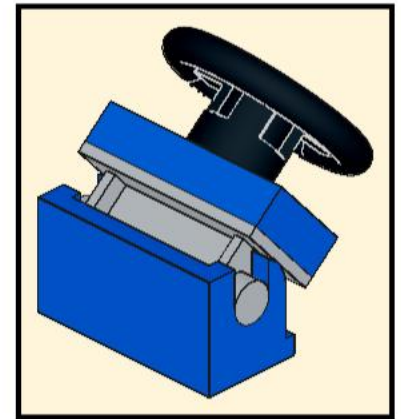
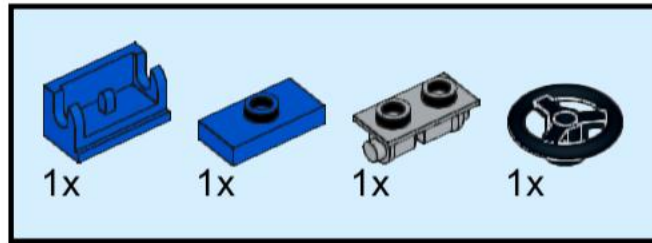
20



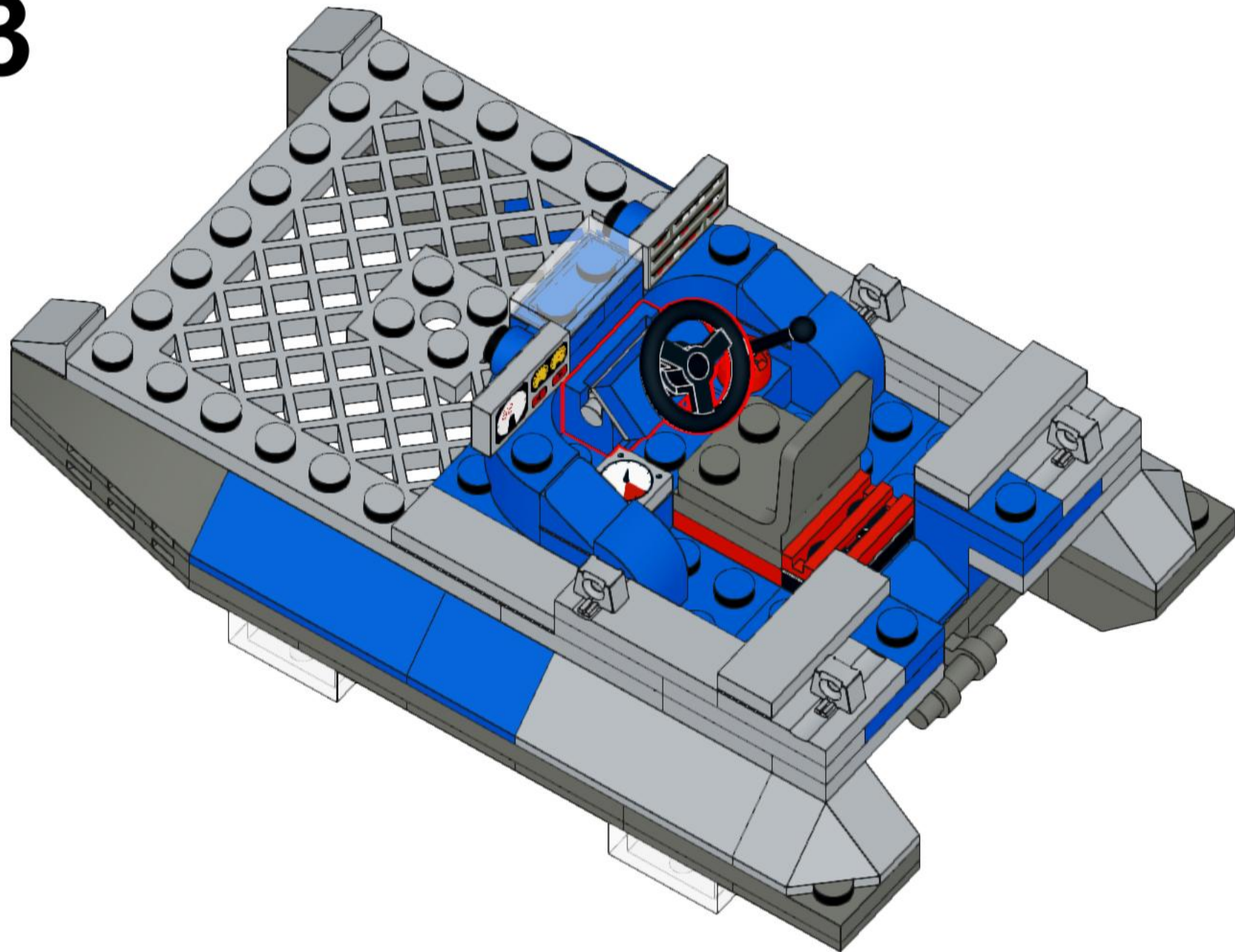
21



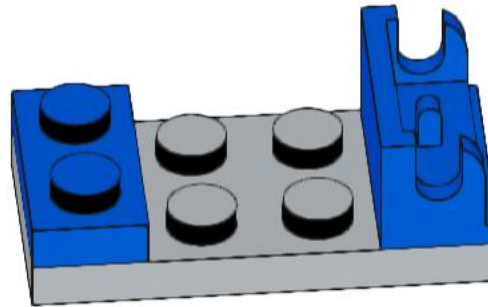
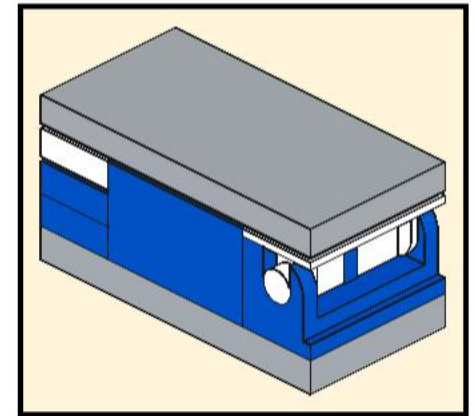
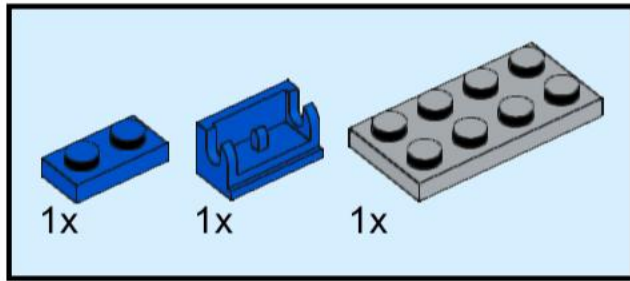
22



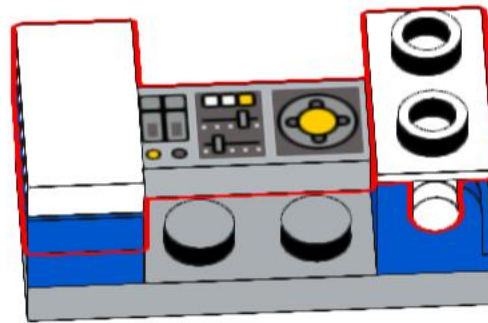
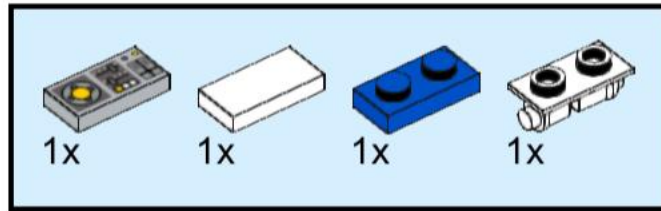
23



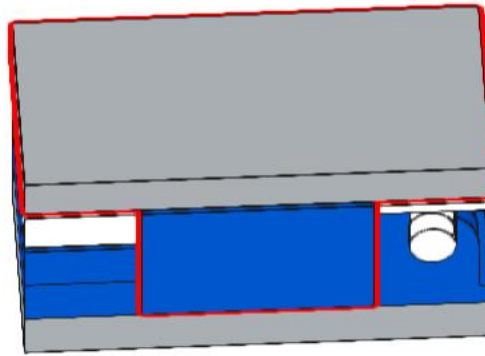
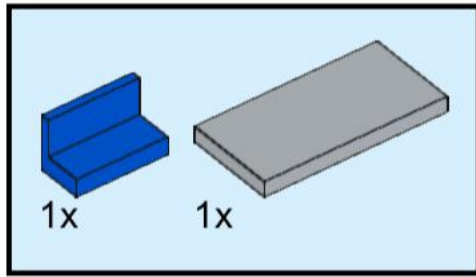
24



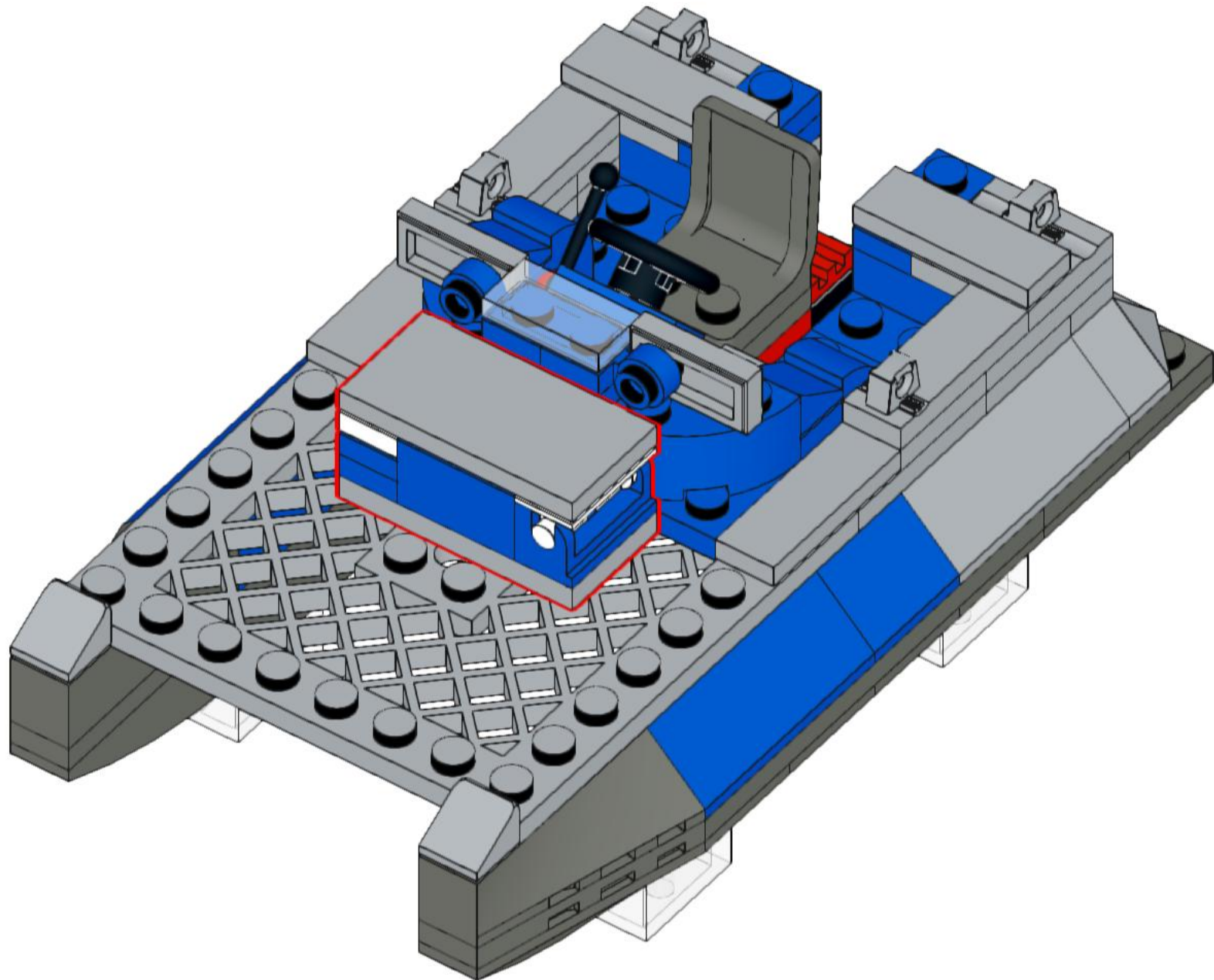
25



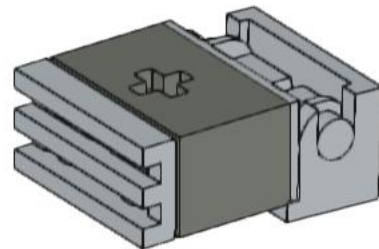
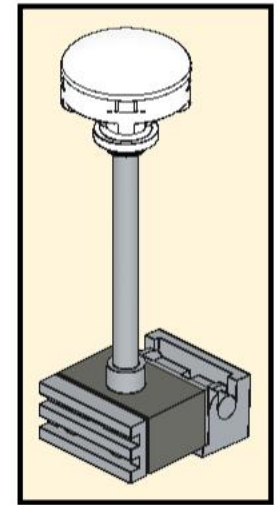
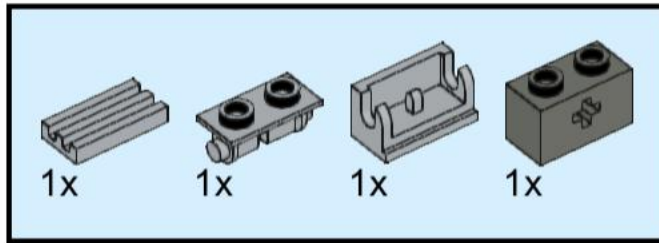
26



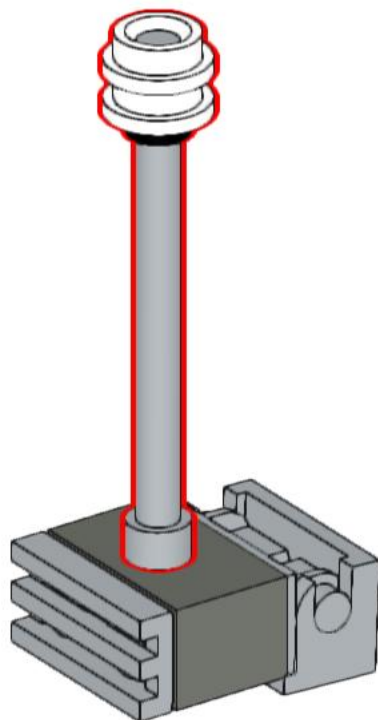
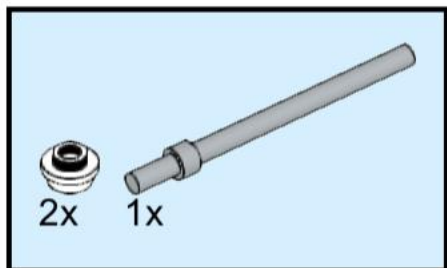
27



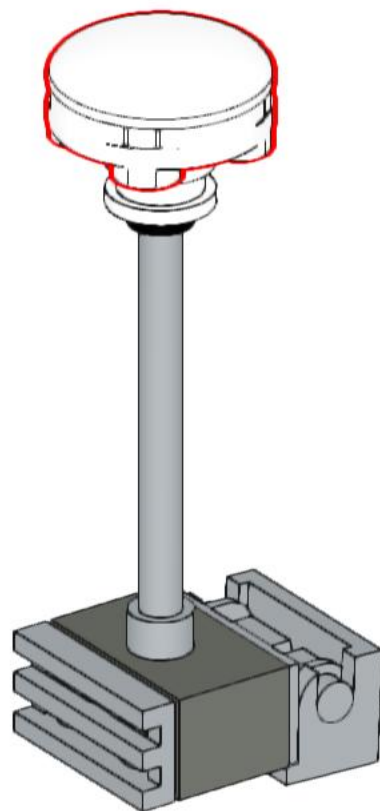
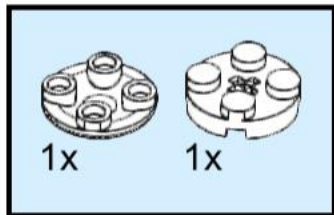
28



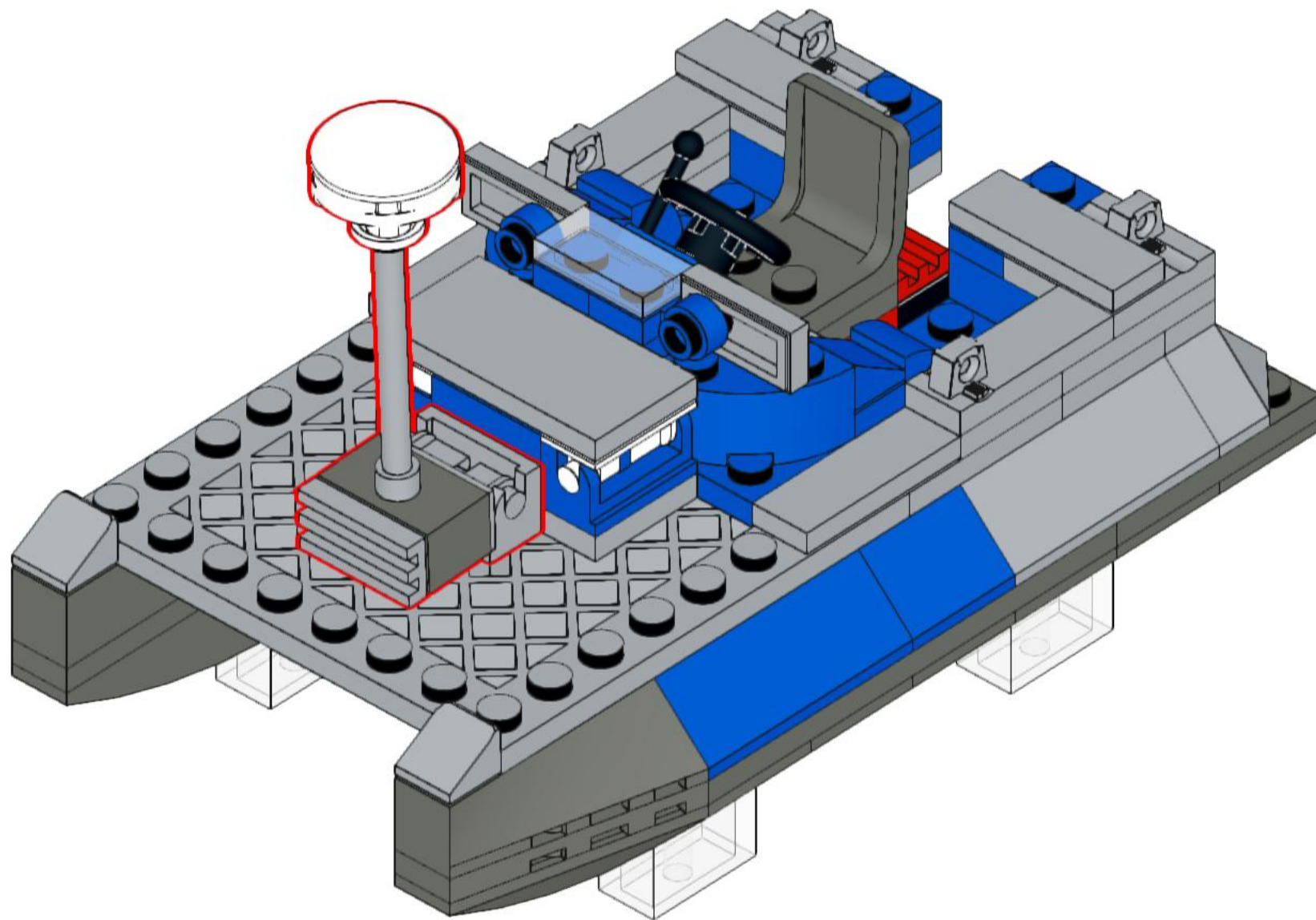
29



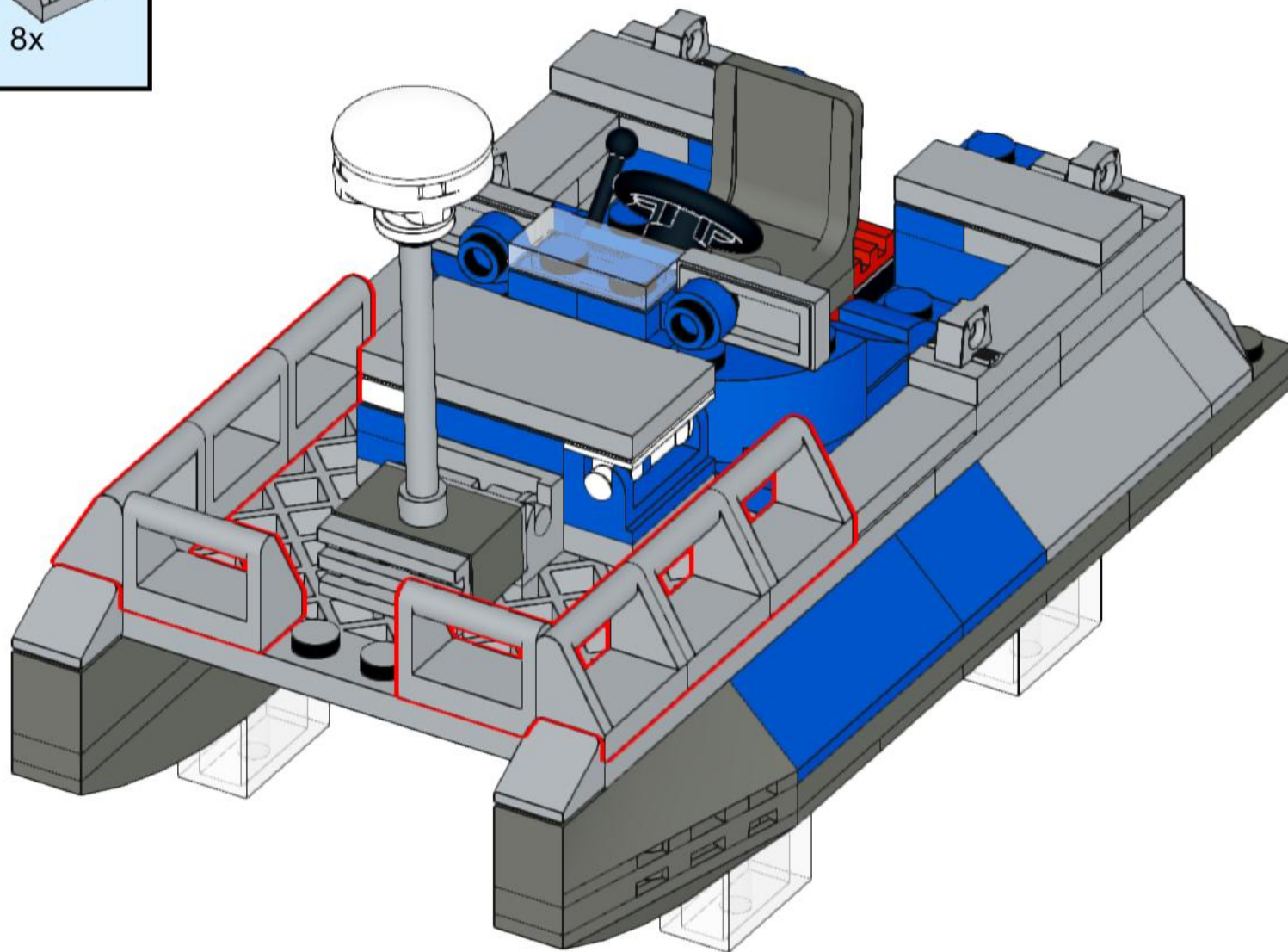
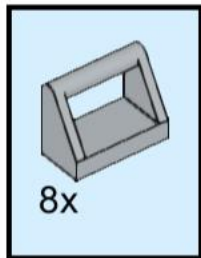
30



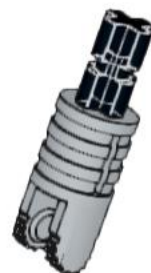
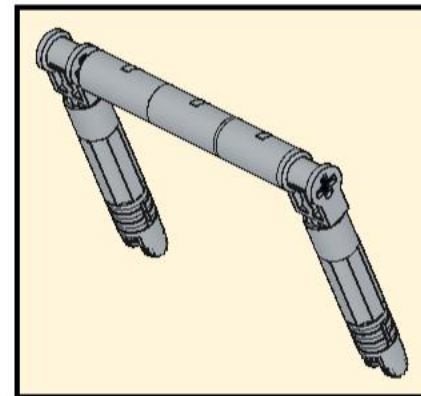
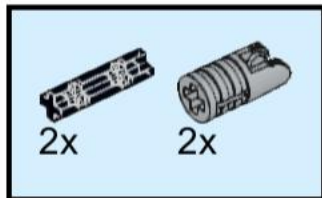
31



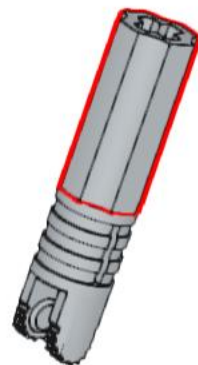
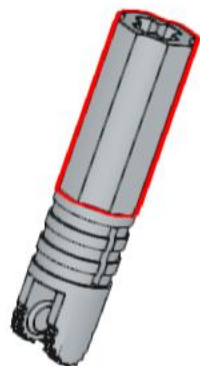
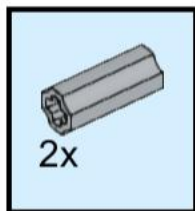
32



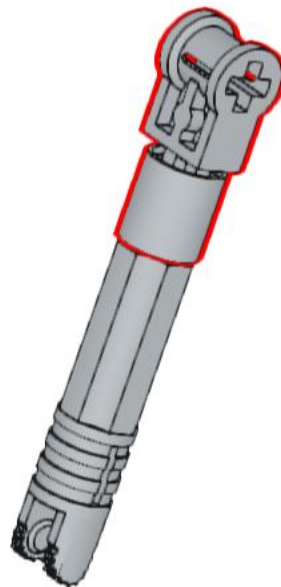
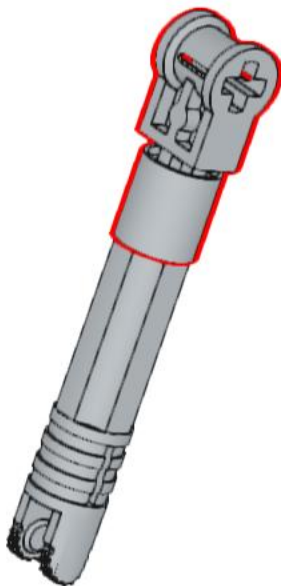
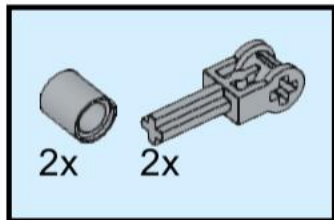
33



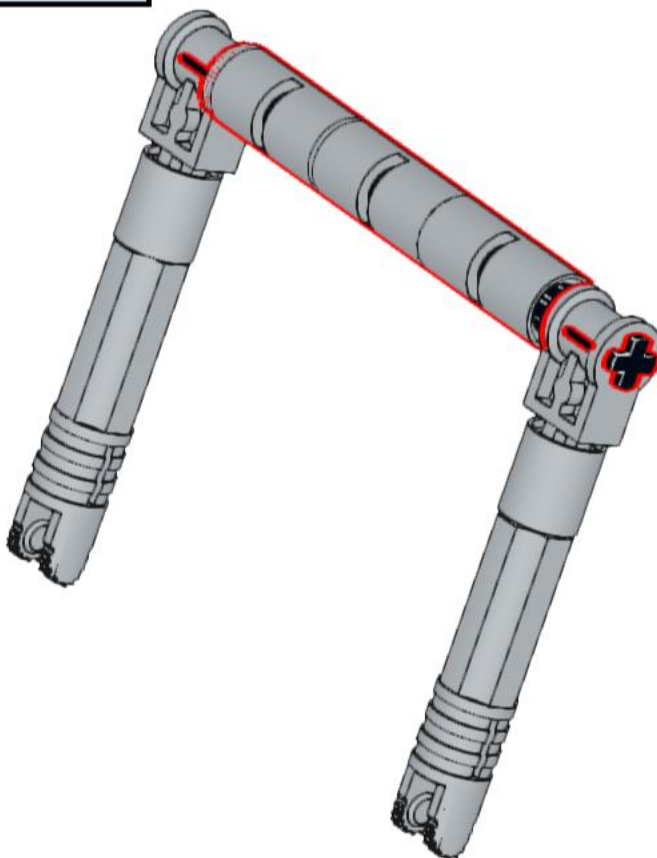
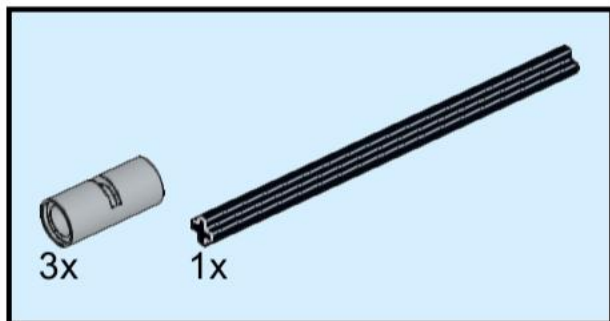
34



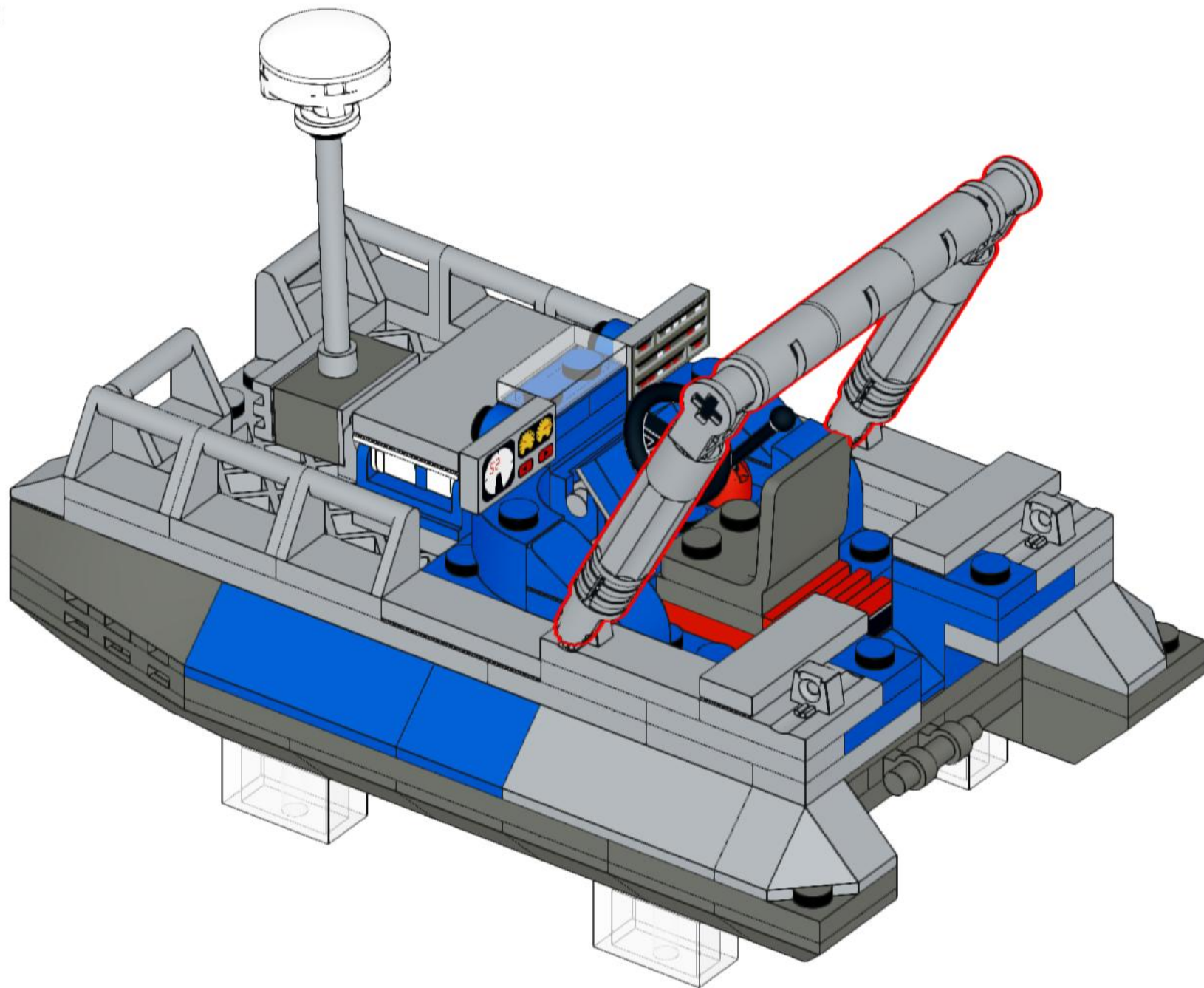
35



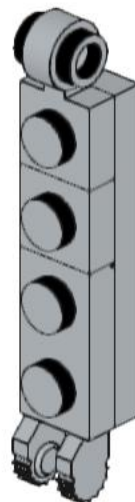
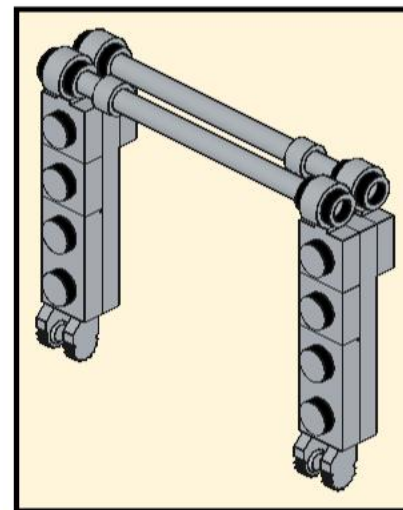
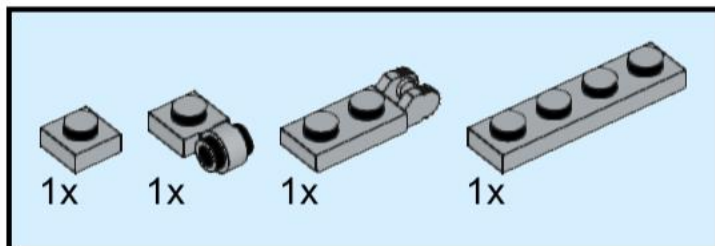
36



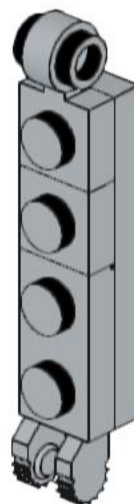
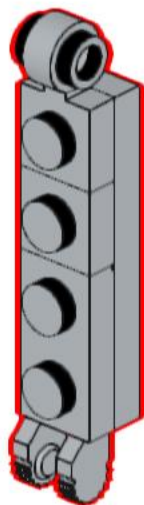
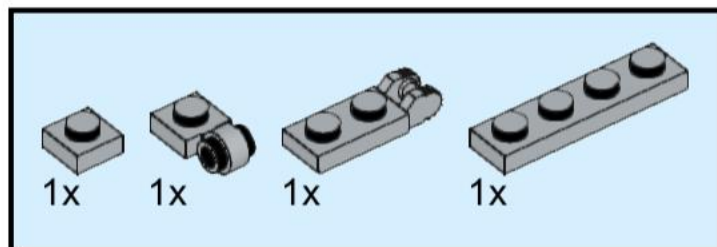
37



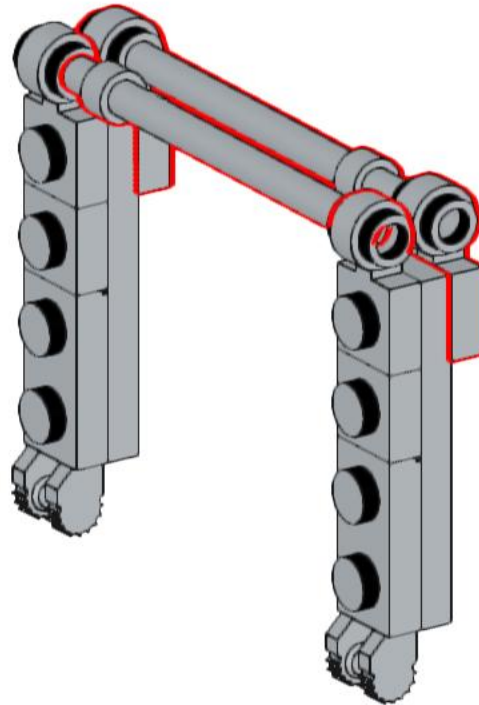
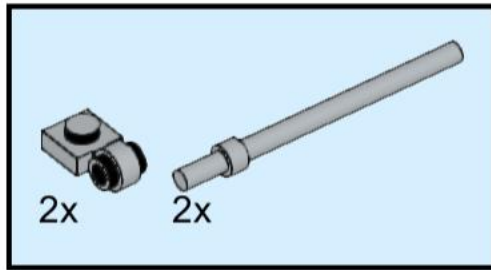
38



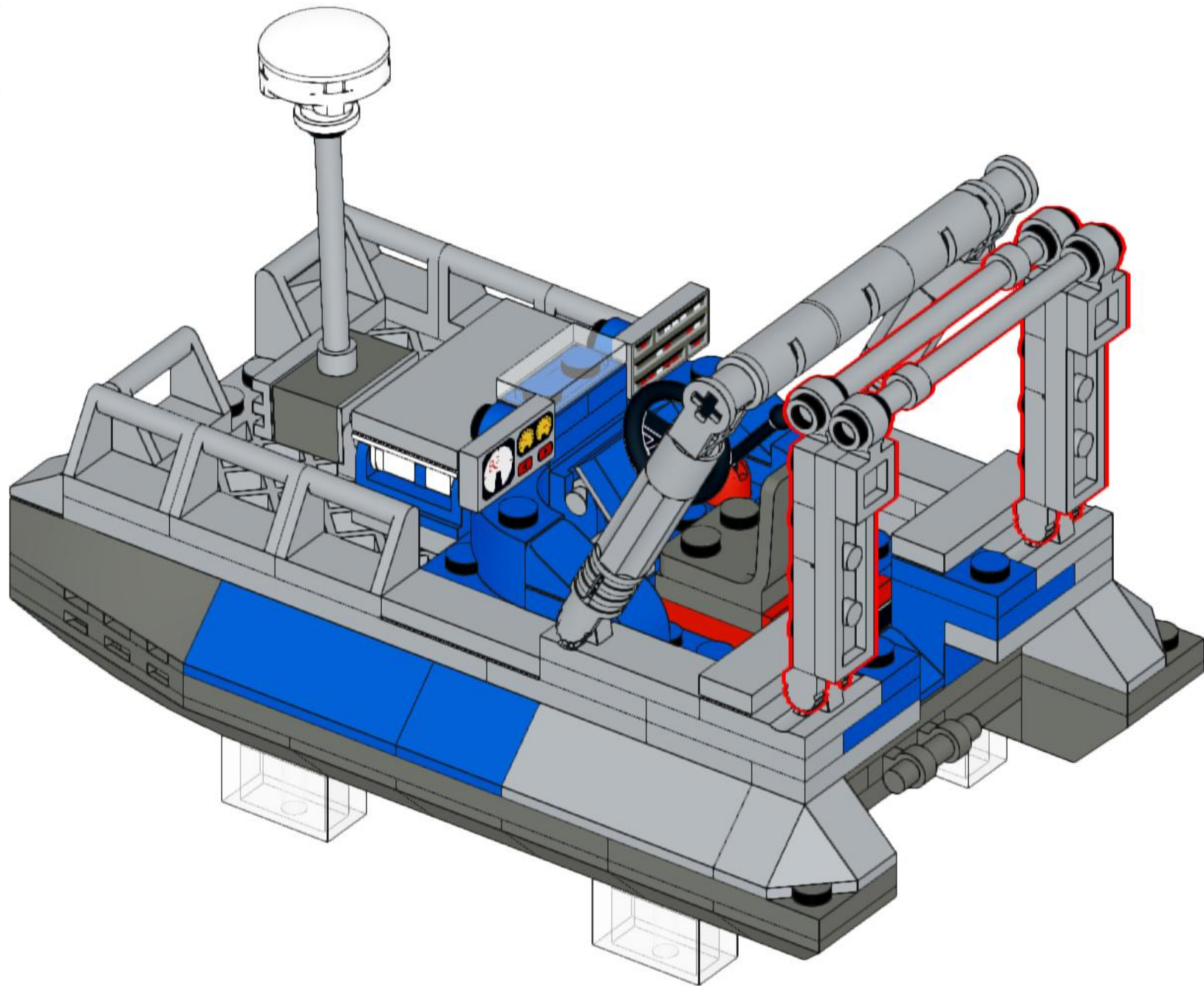
39



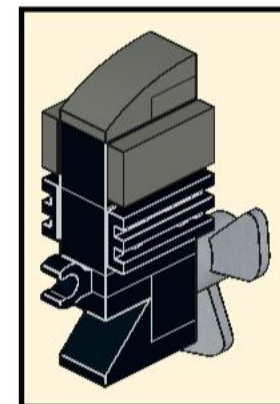
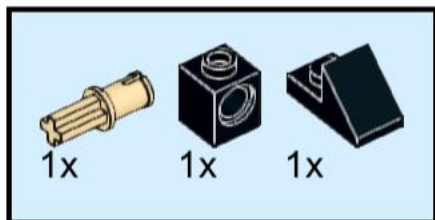
40



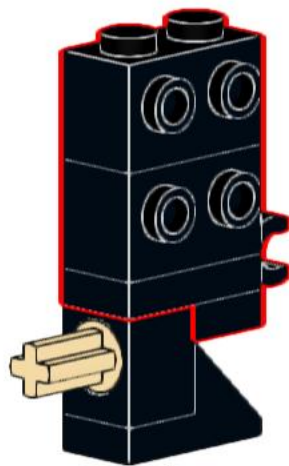
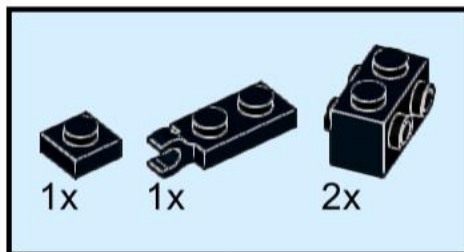
41



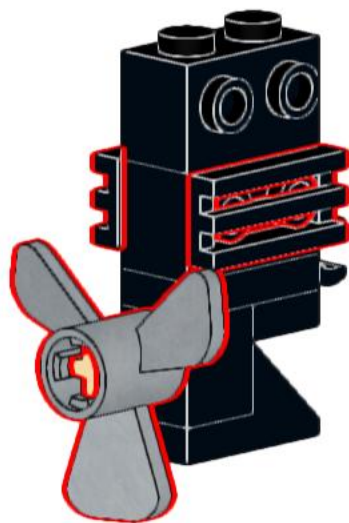
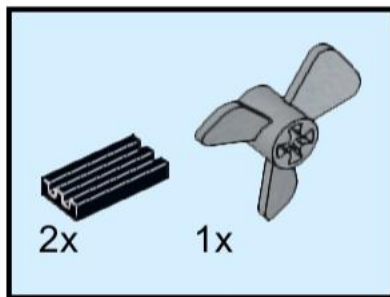
42



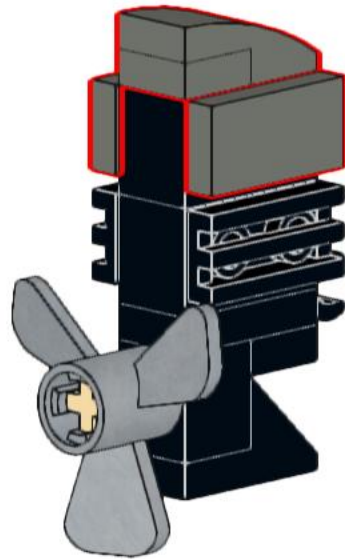
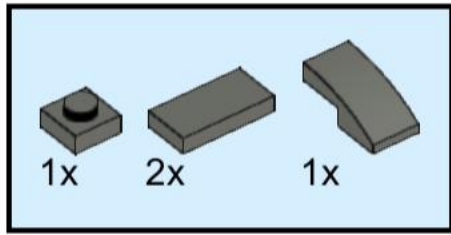
43



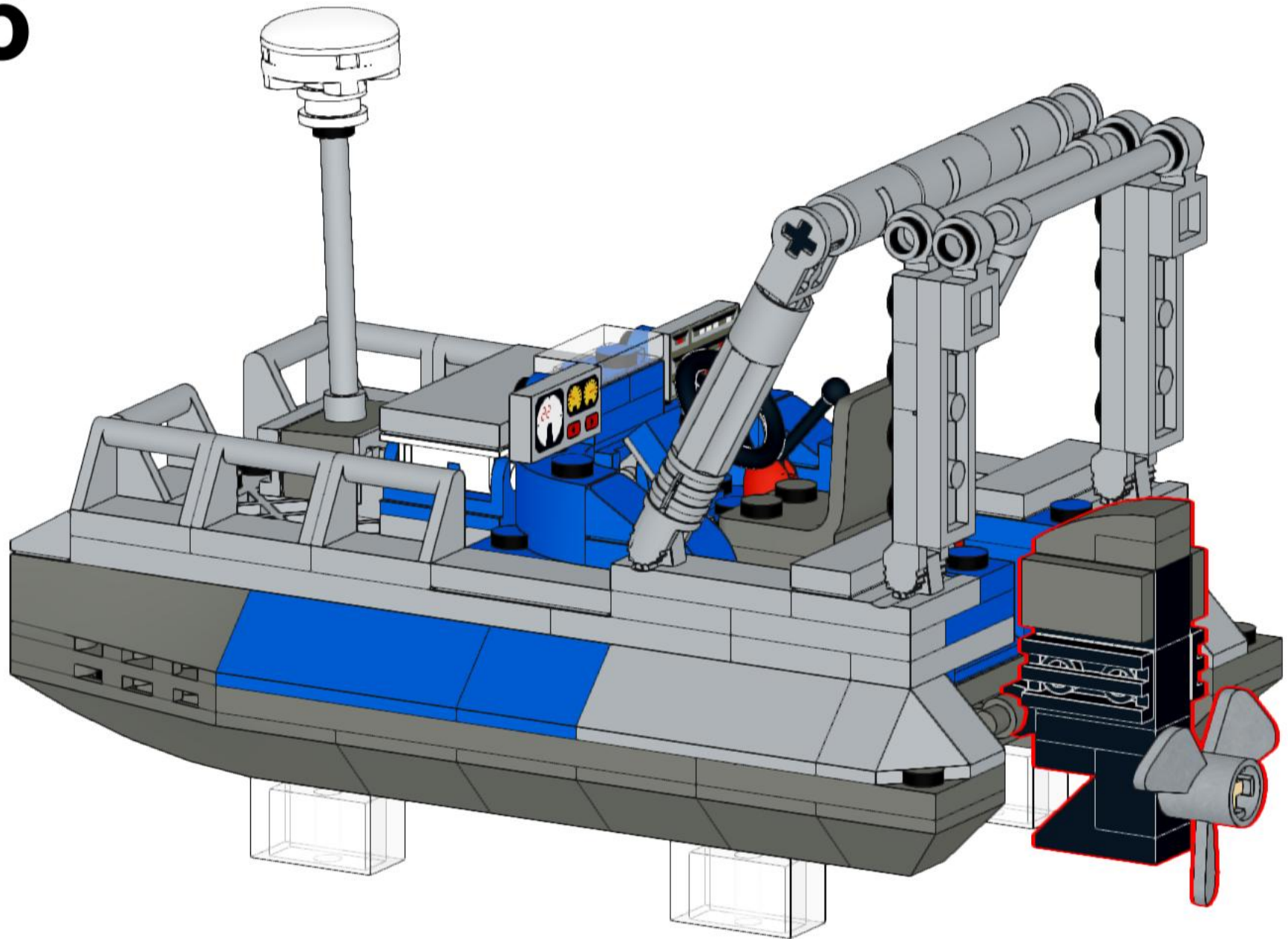
44



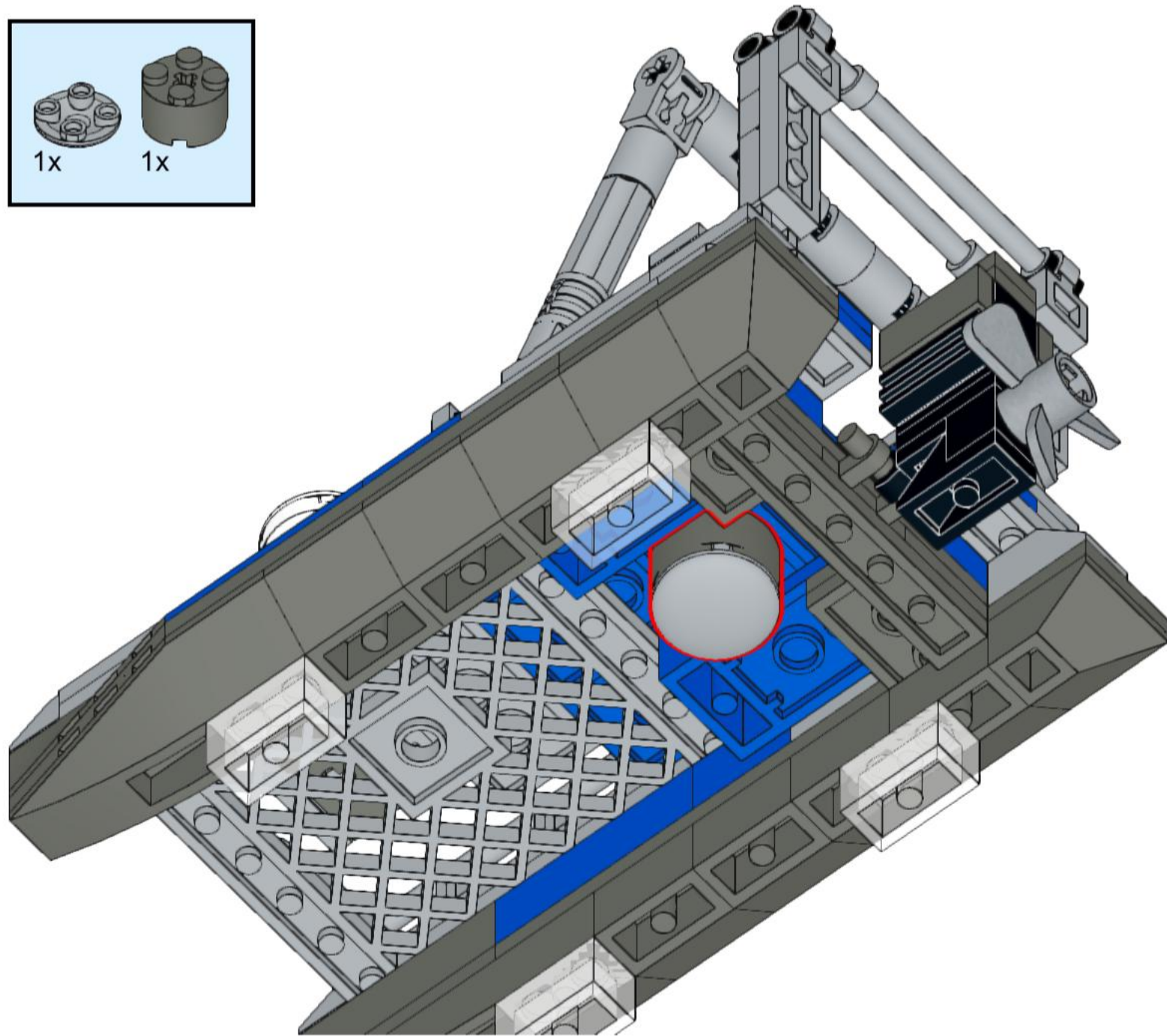
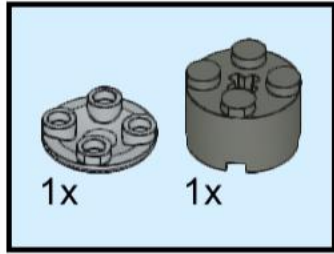
45



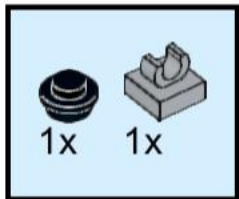
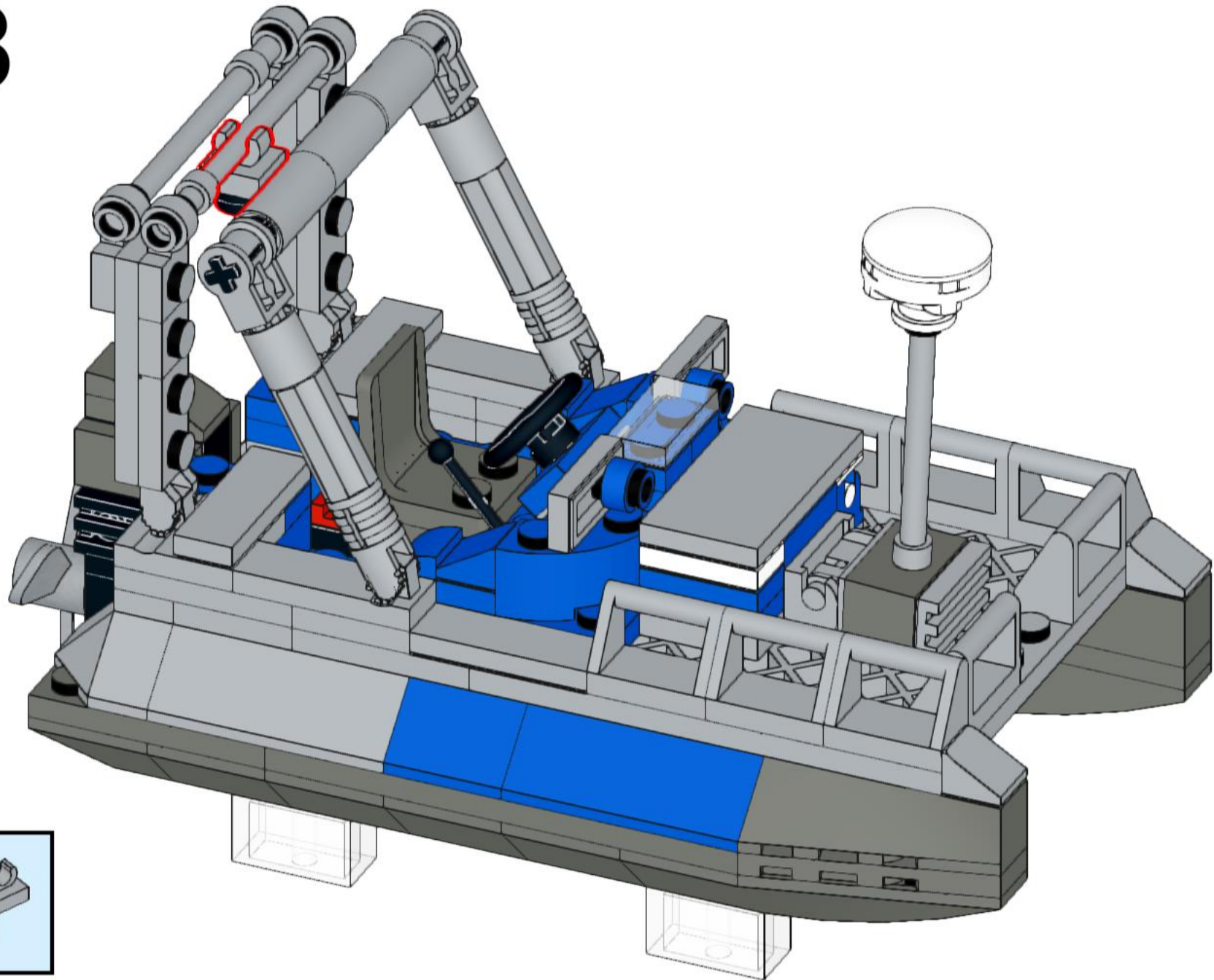
46



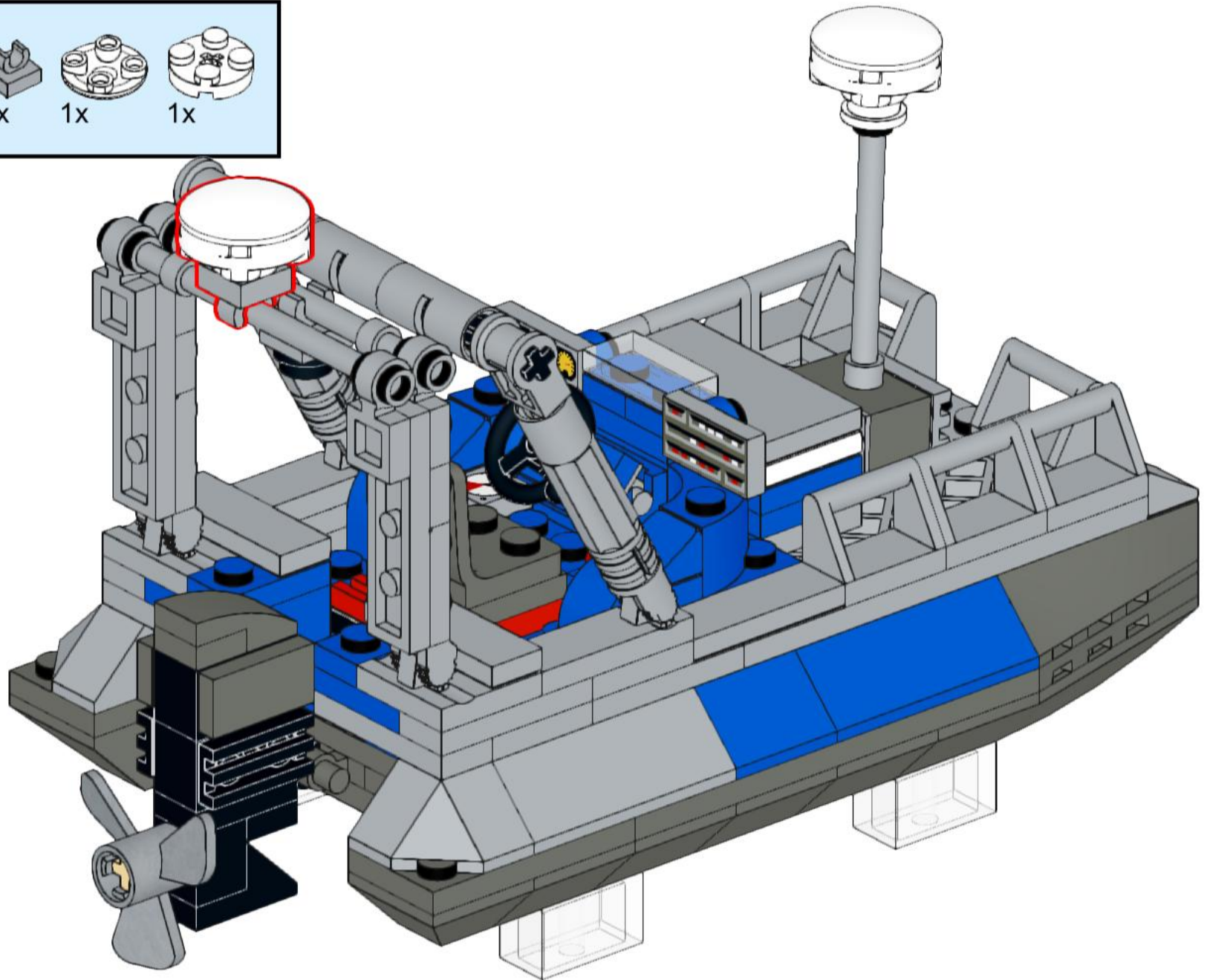
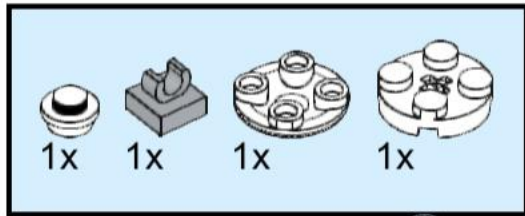
47

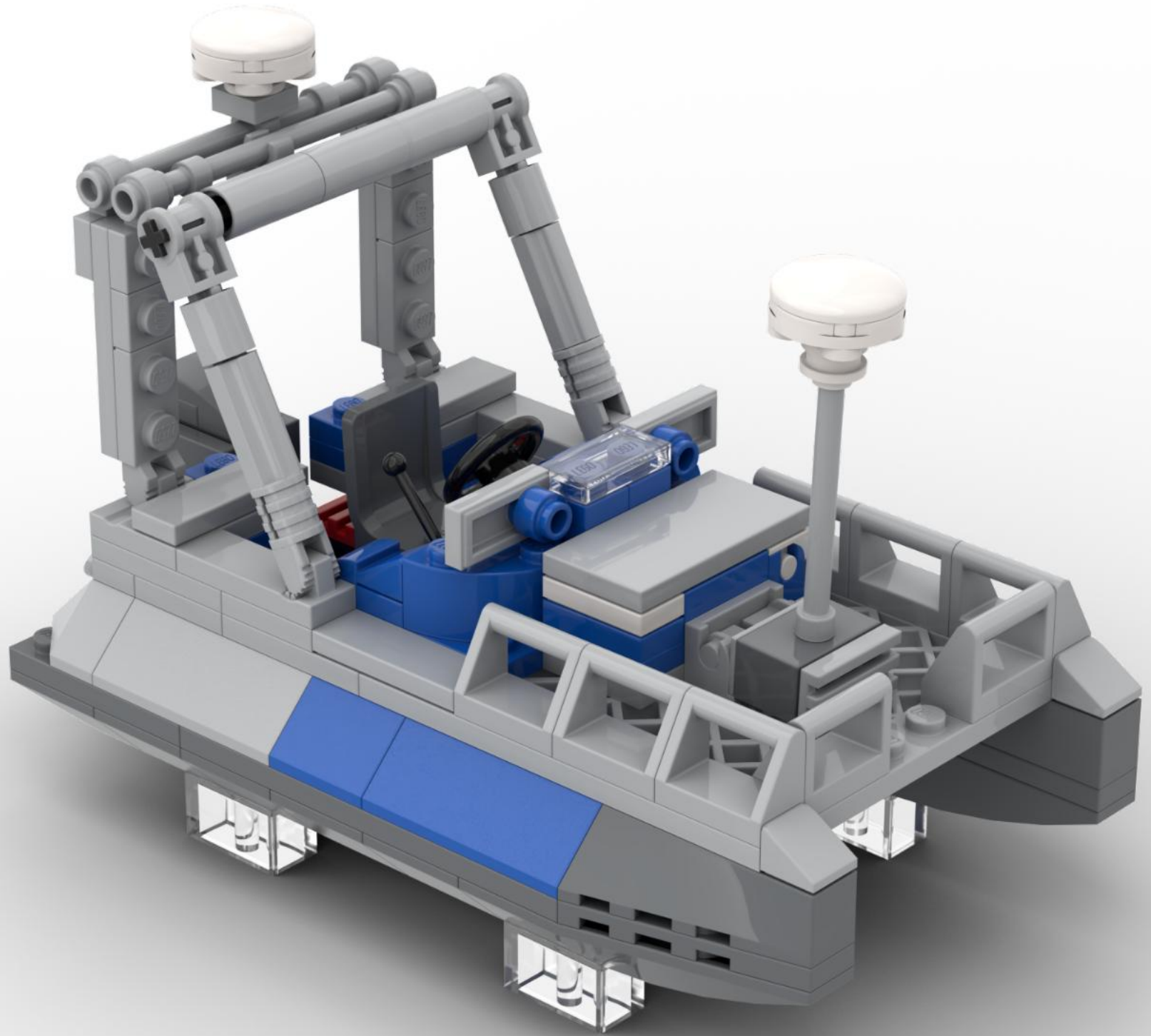


48



49







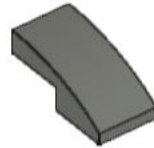
1x
3024
Black



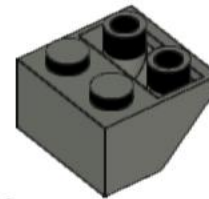
2x
2412b
Black



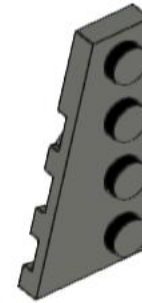
1x
30663
Black



1x
11477
Dark Bluish Gray



8x
3660
Dark Bluish Gray



1x
41770
Dark Bluish Gray



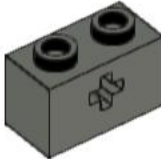
1x
4073
Black



1x
3023
Black



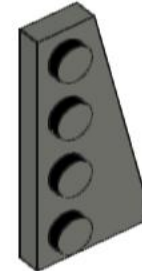
1x
3707
Black



1x
32064
Dark Bluish Gray



1x
3941
Dark Bluish Gray



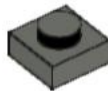
1x
41769
Dark Bluish Gray



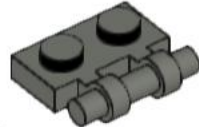
1x
6541
Black



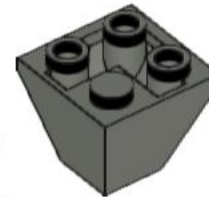
1x
92946
Black



1x
3024
Dark Bluish Gray



1x
2540
Dark Bluish Gray



2x
3676
Dark Bluish Gray



1x
4593
Black



2x
52107
Black



2x
3069b
Dark Bluish Gray



1x
3022
Dark Bluish Gray



1x
4079
Dark Bluish Gray



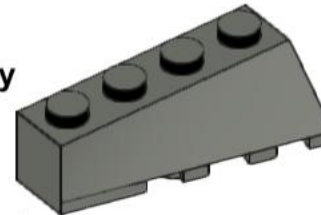
2x
32062
Black



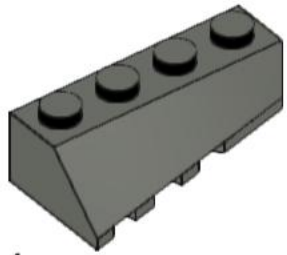
1x
63868
Black



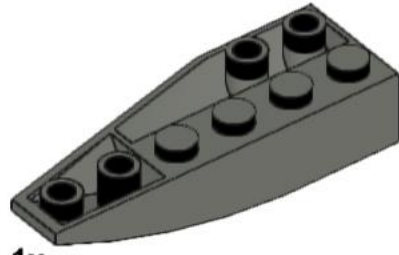
2x
3023
Dark Bluish Gray



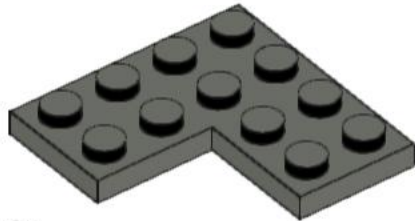
1x
43721
Dark Bluish Gray



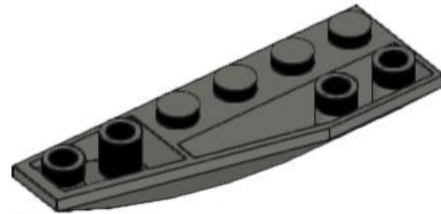
1x
43720
Dark Bluish Gray



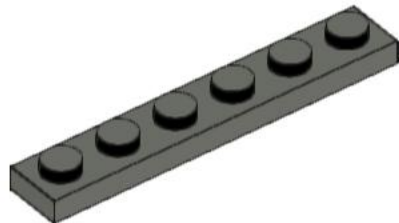
1x
41764
Dark Bluish Gray



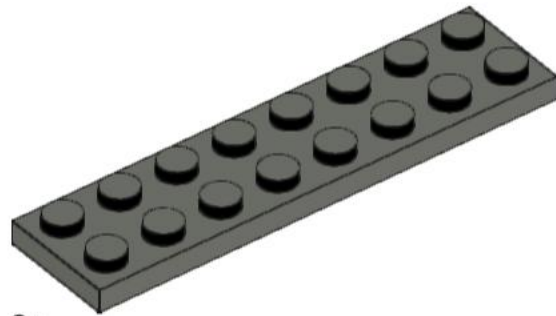
2x
2639
Dark Bluish Gray



1x
41765
Dark Bluish Gray



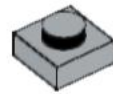
2x
3666
Dark Bluish Gray



2x
3034
Dark Bluish Gray



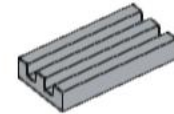
1x
3070bp07
Light Bluish Gray



2x
3024
Light Bluish Gray



1x
3069bpx19
Light Bluish Gray



1x
2412b
Light Bluish Gray



2x
18654
Light Bluish Gray



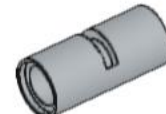
1x
3069bps1
Light Bluish Gray



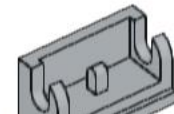
1x
3069bpb0847
Light Bluish Gray



2x
54200
Light Bluish Gray



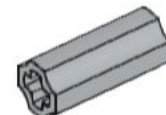
3x
62462
Light Bluish Gray



1x
3937
Light Bluish Gray



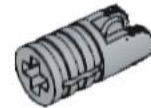
2x
15712
Light Bluish Gray



2x
6538c
Light Bluish Gray



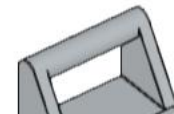
2x
3938
Light Bluish Gray



2x
30553
Light Bluish Gray



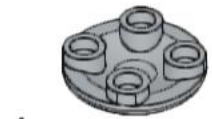
4x
3023
Light Bluish Gray



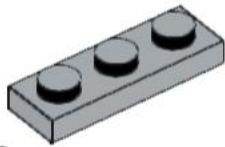
8x
2432
Light Bluish Gray



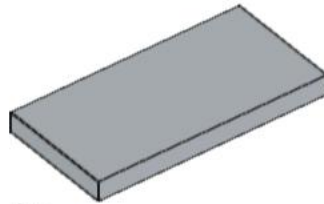
4x
4081b
Light Bluish Gray



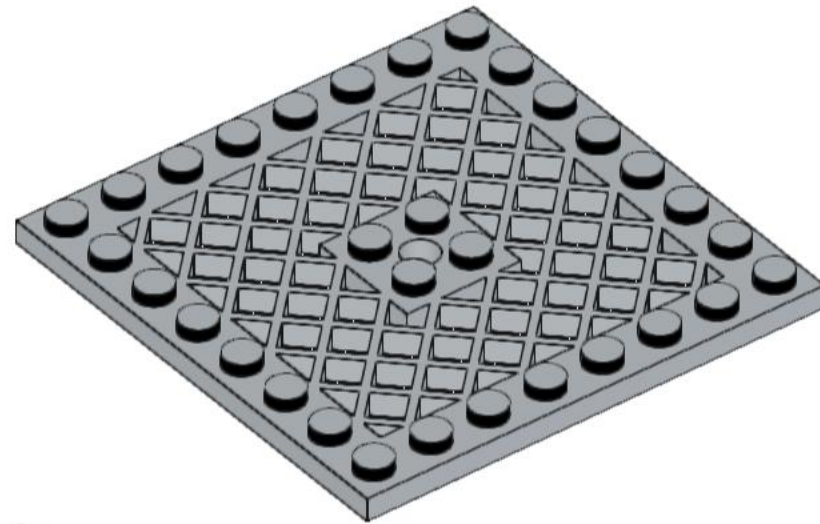
1x
2654
Light Bluish Gray



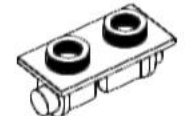
6x
3623
Light Bluish Gray



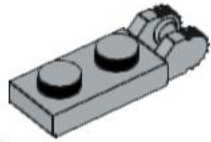
1x
87079
Light Bluish Gray



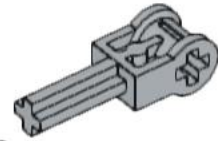
1x
4151b
Light Bluish Gray



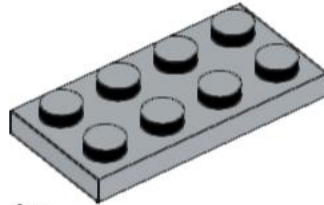
1x
3938
White



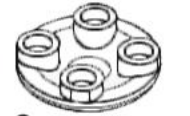
2x
44302a
Light Bluish Gray



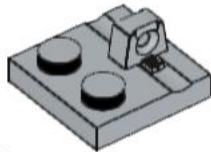
2x
6553
Light Bluish Gray



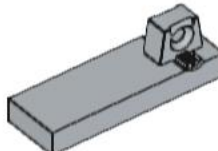
1x
3020
Light Bluish Gray



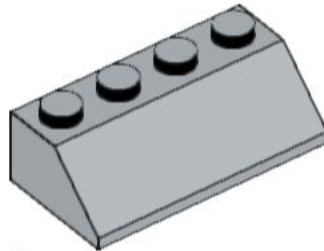
2x
2654
White



2x
92582
Light Bluish Gray



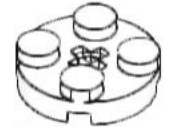
2x
44300
Light Bluish Gray



2x
3037
Light Bluish Gray



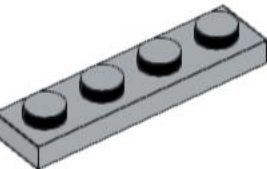
1x
4073
White



2x
4032
White



2x
13548
Light Bluish Gray



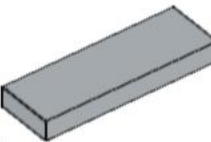
2x
3710
Light Bluish Gray



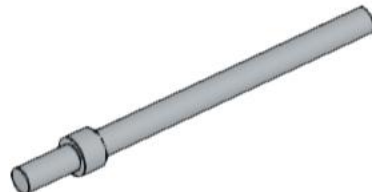
2x
85861
White



1x
4592
Red



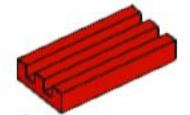
4x
63864
Light Bluish Gray



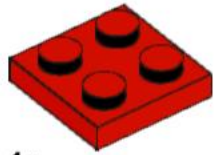
3x
63965
Light Bluish Gray



1x
3069b
White



1x
2412b
Red



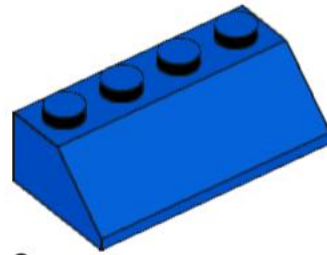
1x
3022
Red



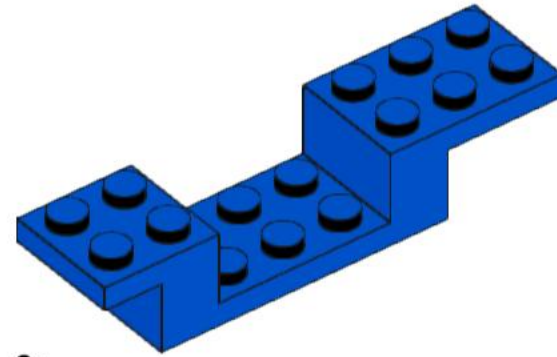
2x
4081b
Blue



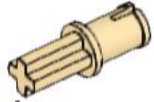
2x
6091
Blue



2x
3037
Blue



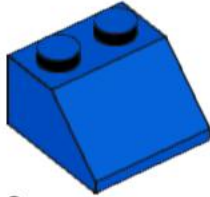
2x
4732
Blue



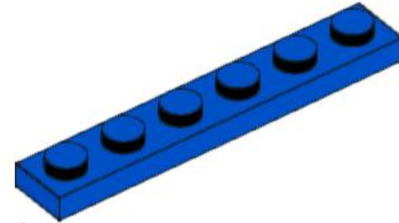
1x
3749
Tan



1x
85984
Blue



2x
3039
Blue



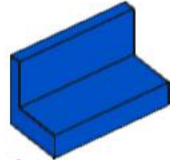
1x
3666
Blue



1x
3069b
Trans-Clear



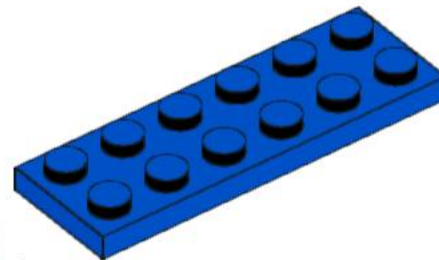
2x
54200
Blue



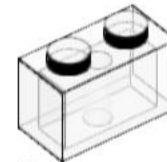
1x
4865
Blue



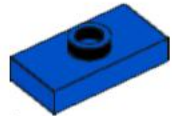
2x
85080
Blue



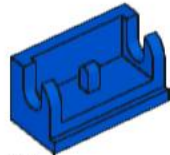
1x
3795
Blue



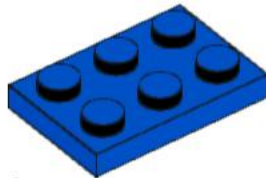
4x
3004
Trans-Clear



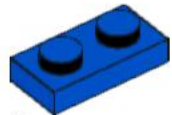
1x
3794a
Blue



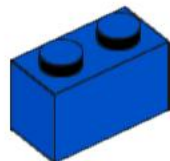
2x
3937
Blue



1x
3021
Blue



5x
3023
Blue



1x
3004
Blue



1x
6041
Pearl Light Gray

UNH CCOM/JHC is responsible for the contents of this booklet.

Model(s) and booklet designed by Will Fessenden, 2023.

Edited by Colleen Mitchell.



Visit our website: <https://ccom.unh.edu>

Check out the rest of our models here: <https://ccom.unh.edu/lego-model-instructions>

And visit the UNH School of Marine Science and Ocean Engineering website: <https://marine.unh.edu/>

