



OCEAN DISCOVERY



6+

OKEANOS EXPLORER

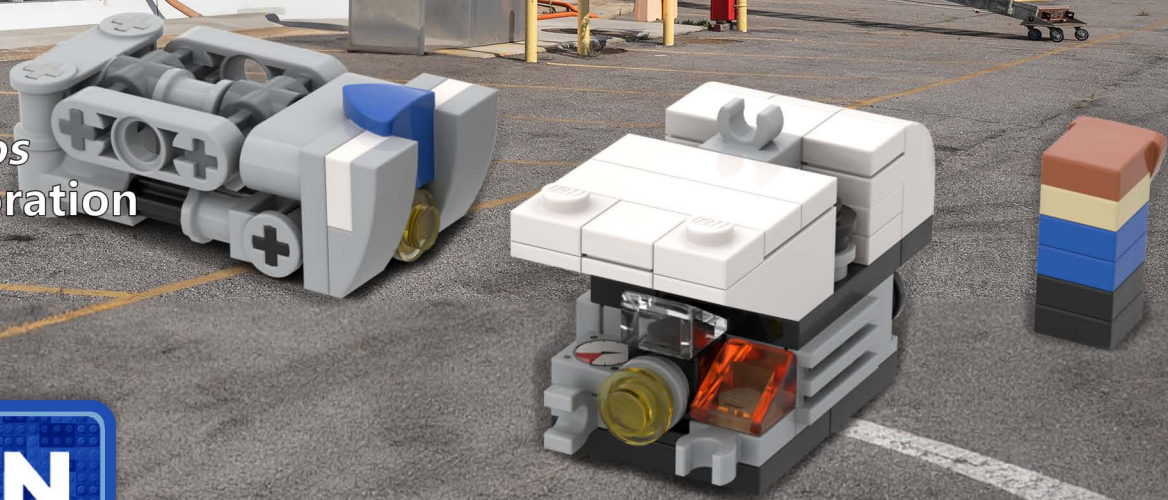
C2305

ROVs *D2* and *Seirios*
NOAA Ocean Exploration

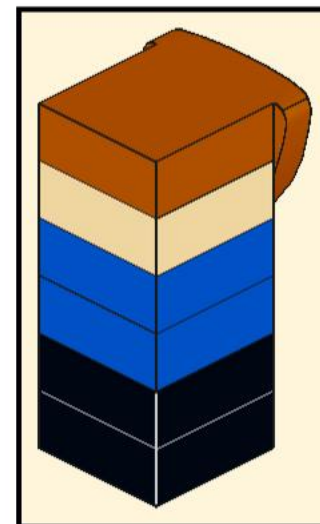
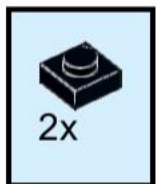
82 pcs



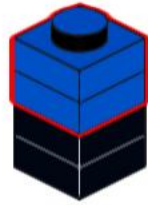
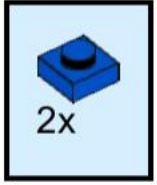
OCEAN
EXPLORATION



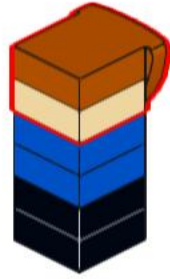
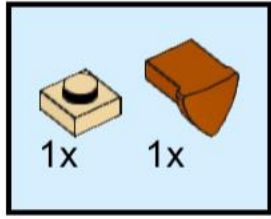
1



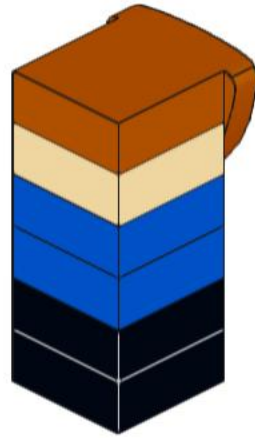
2



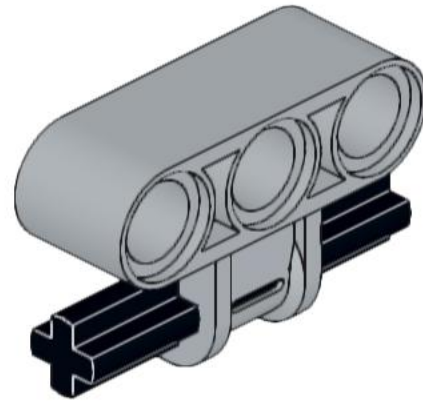
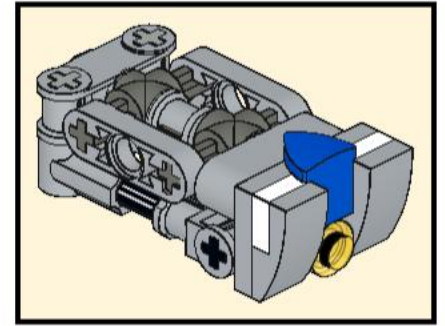
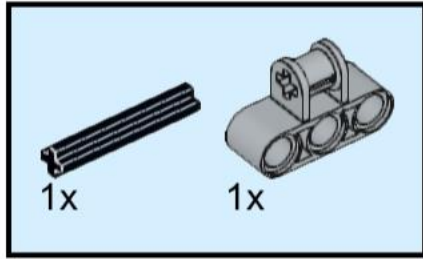
3



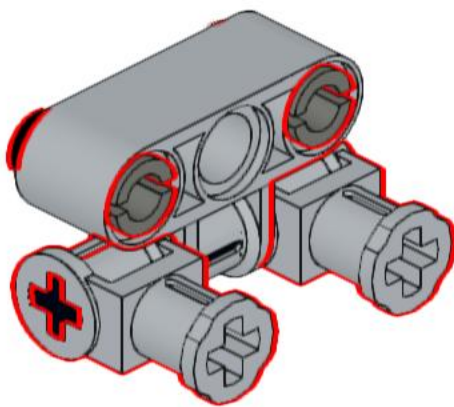
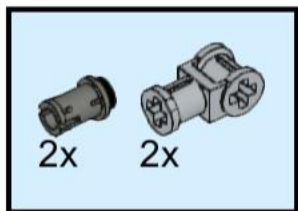
4



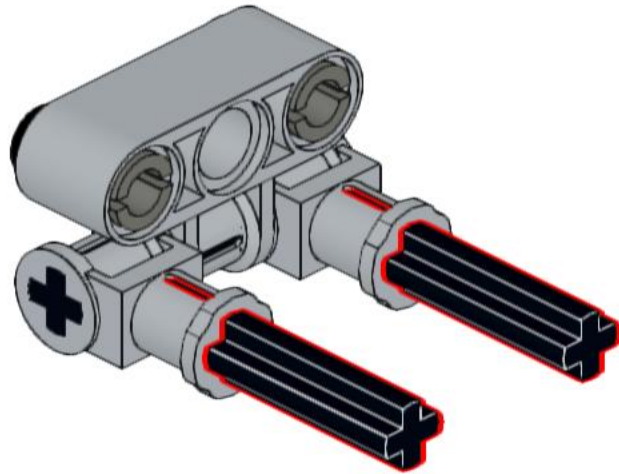
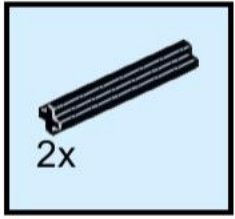
5



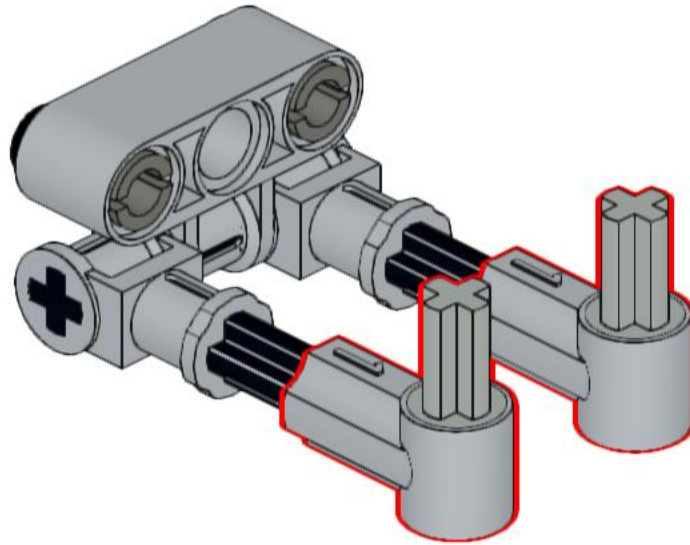
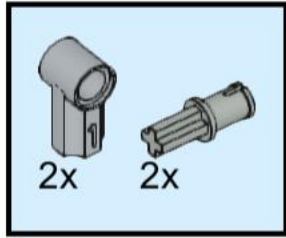
6



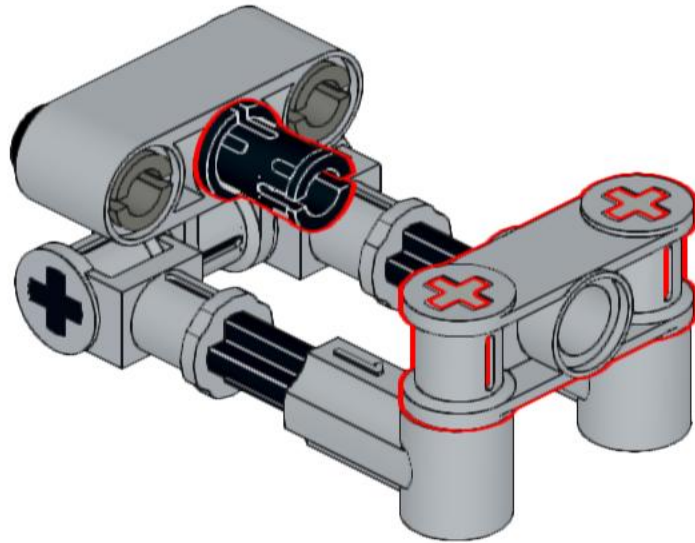
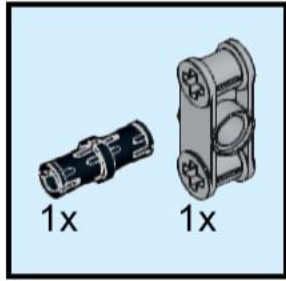
7



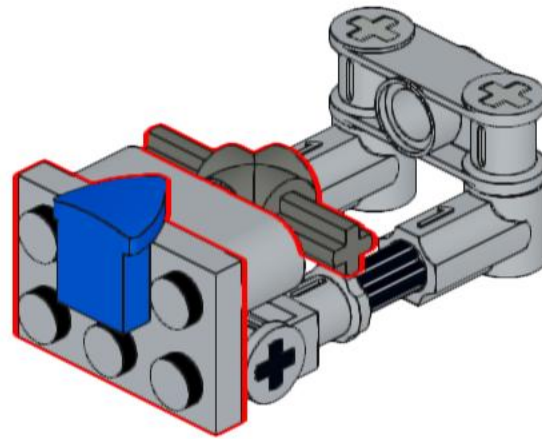
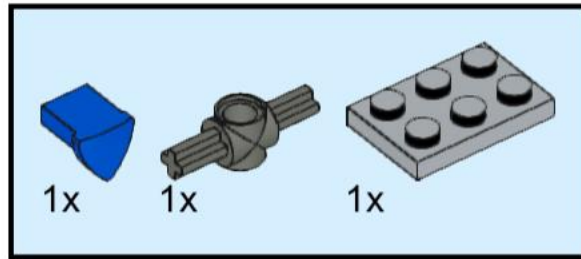
8



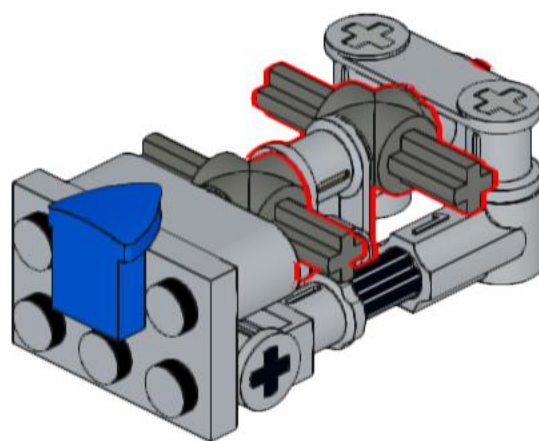
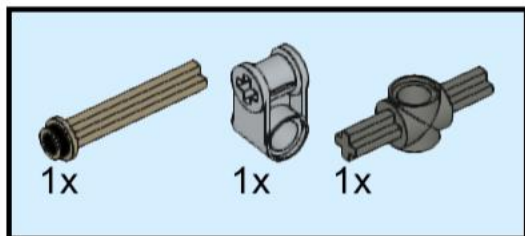
9



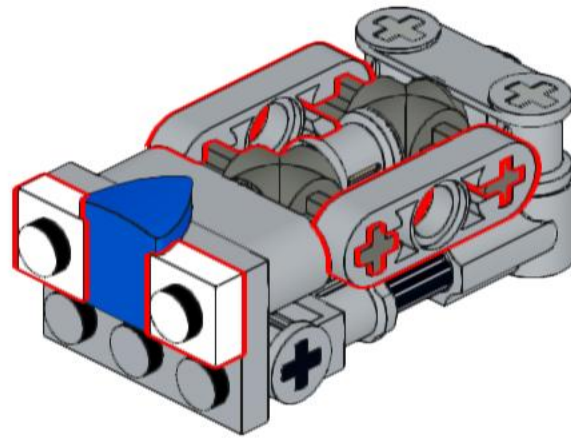
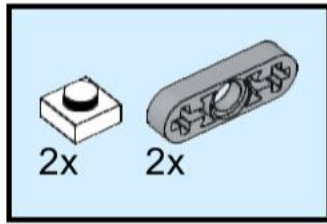
10



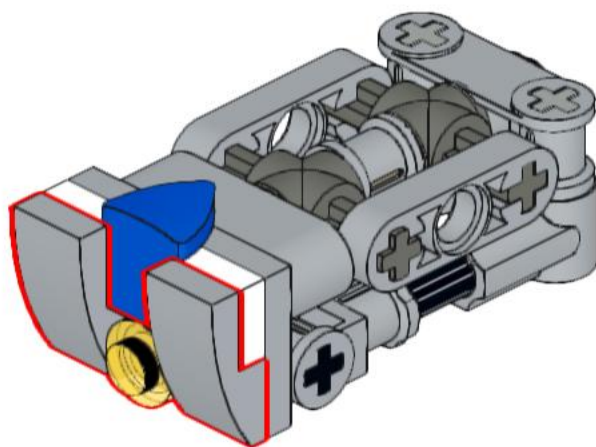
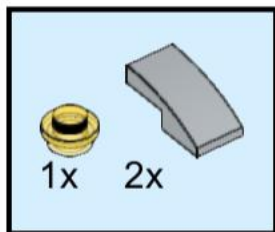
11



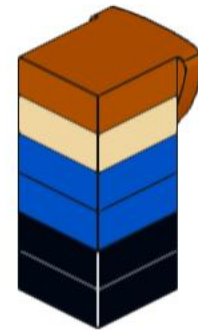
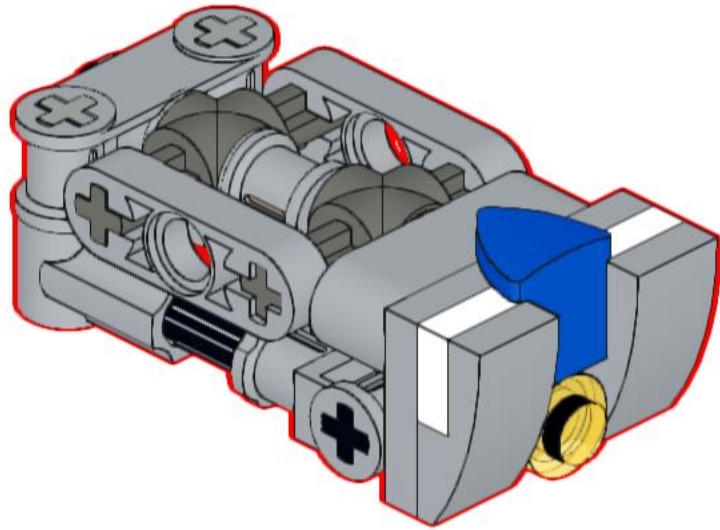
12



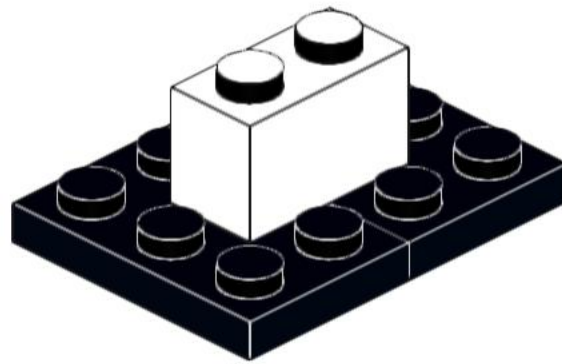
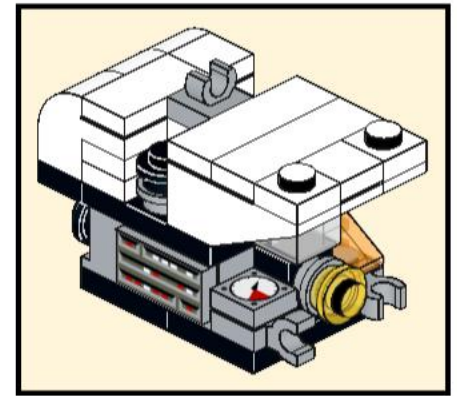
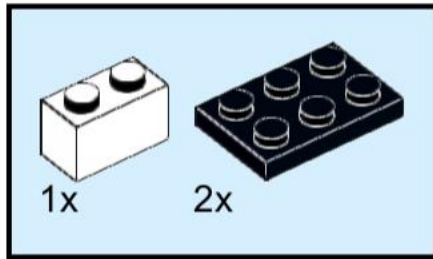
13



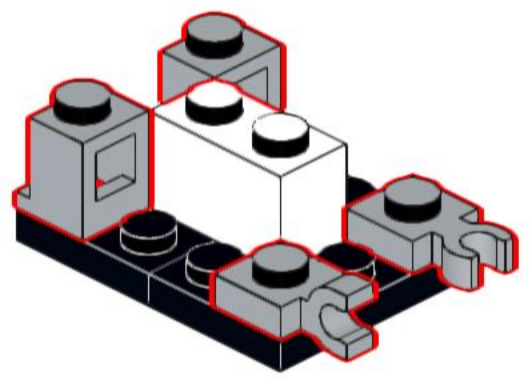
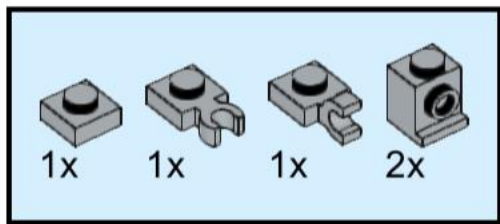
14



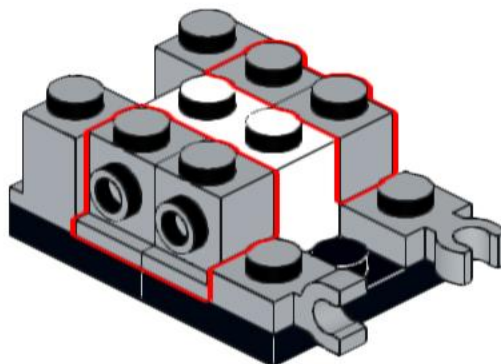
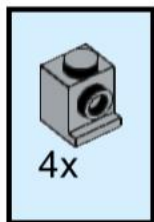
15



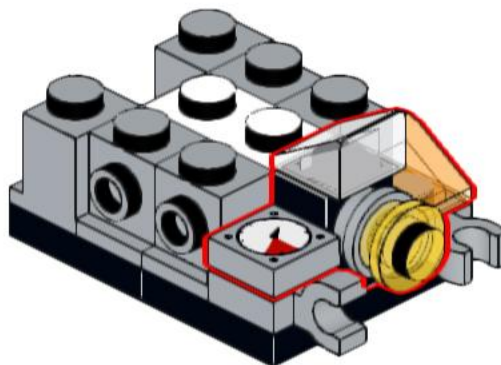
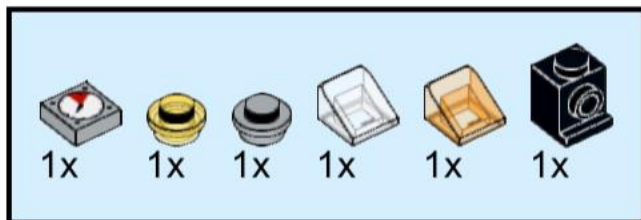
16



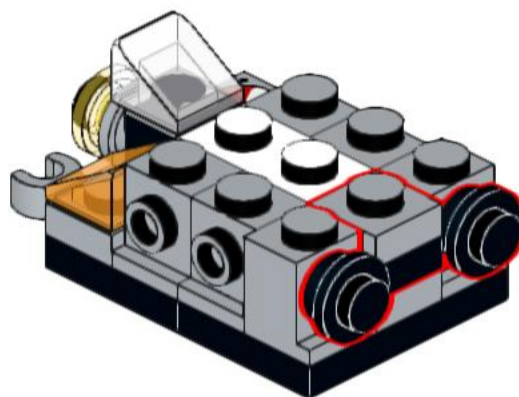
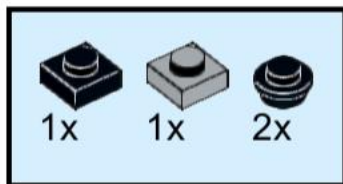
17



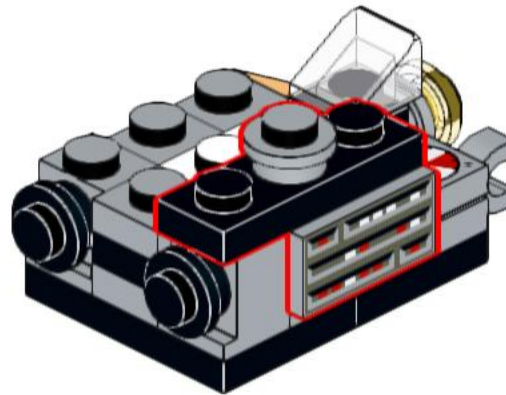
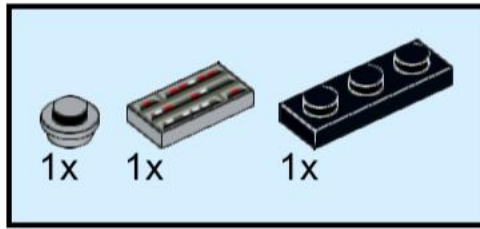
18



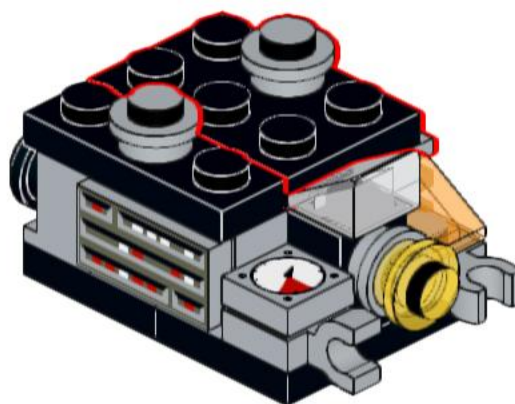
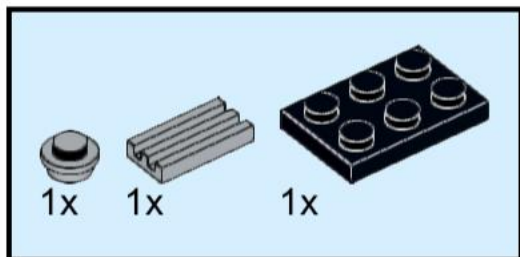
19



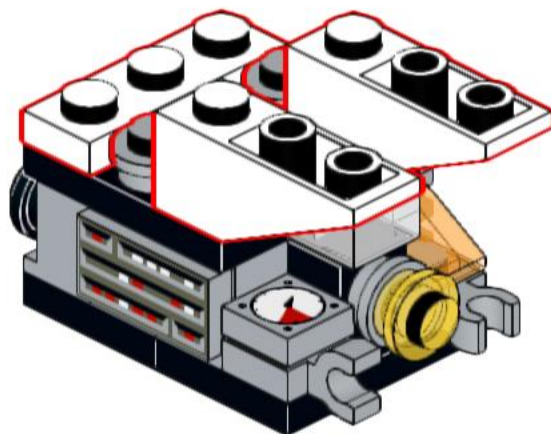
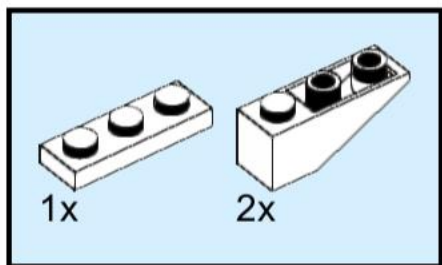
20



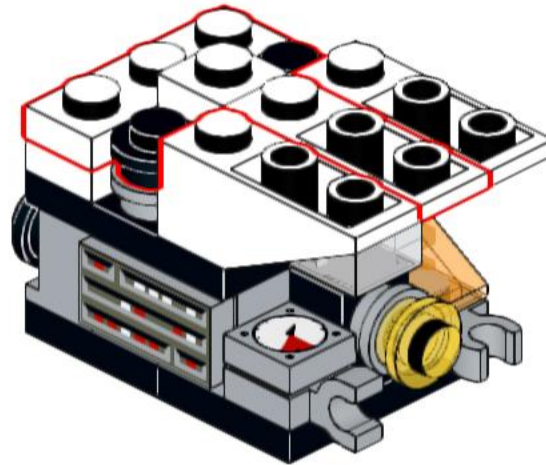
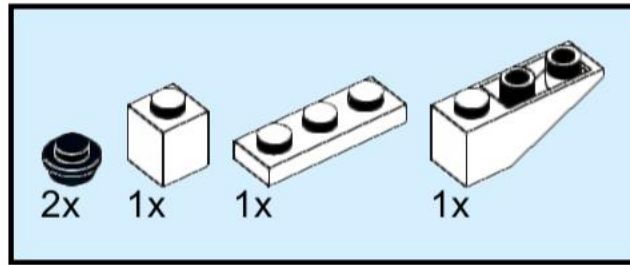
21



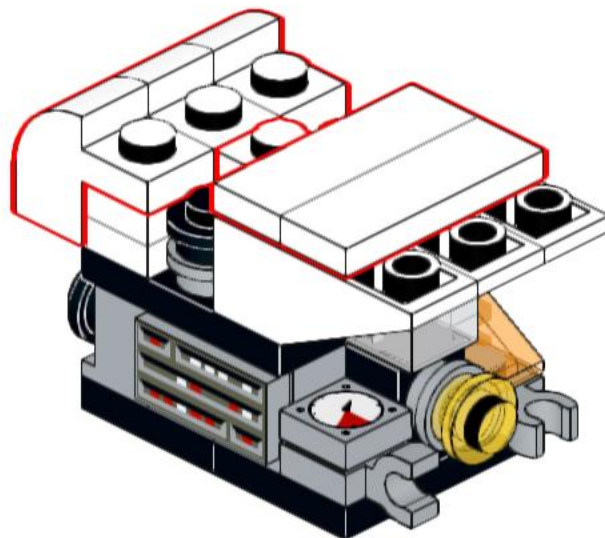
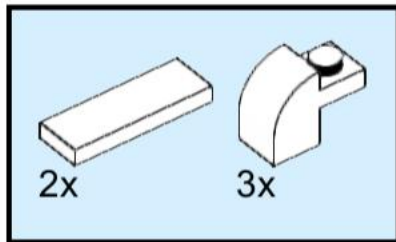
22



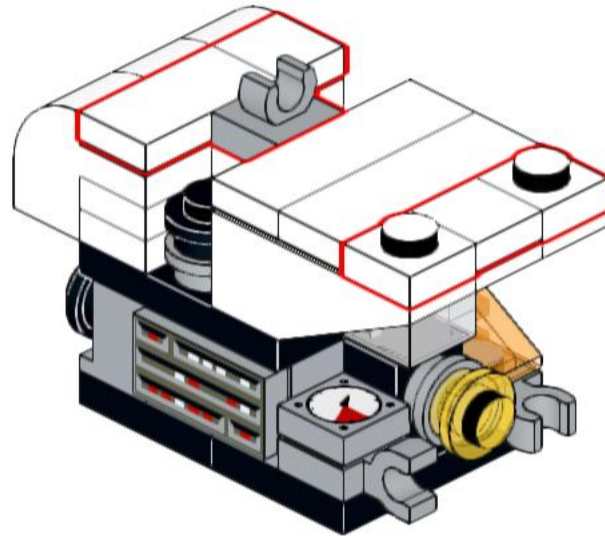
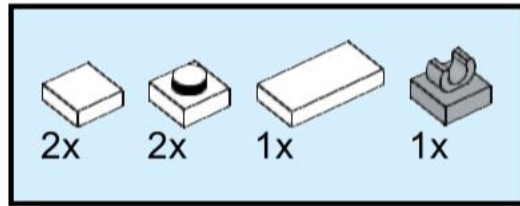
23



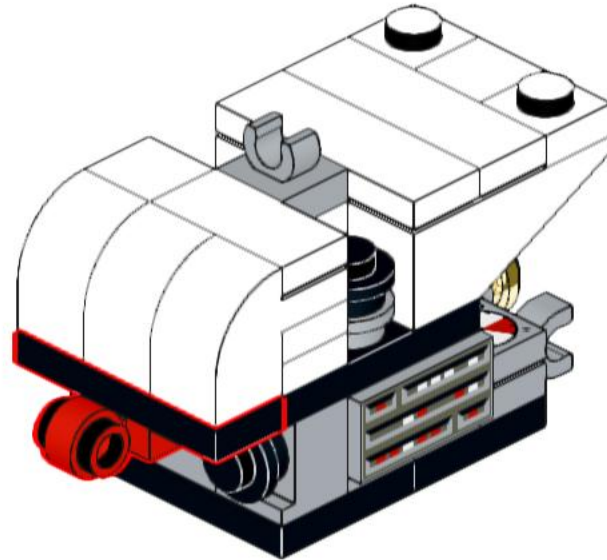
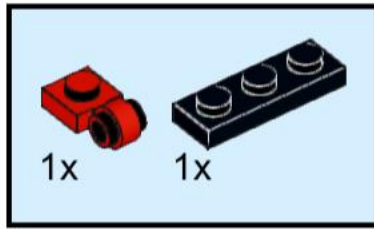
24



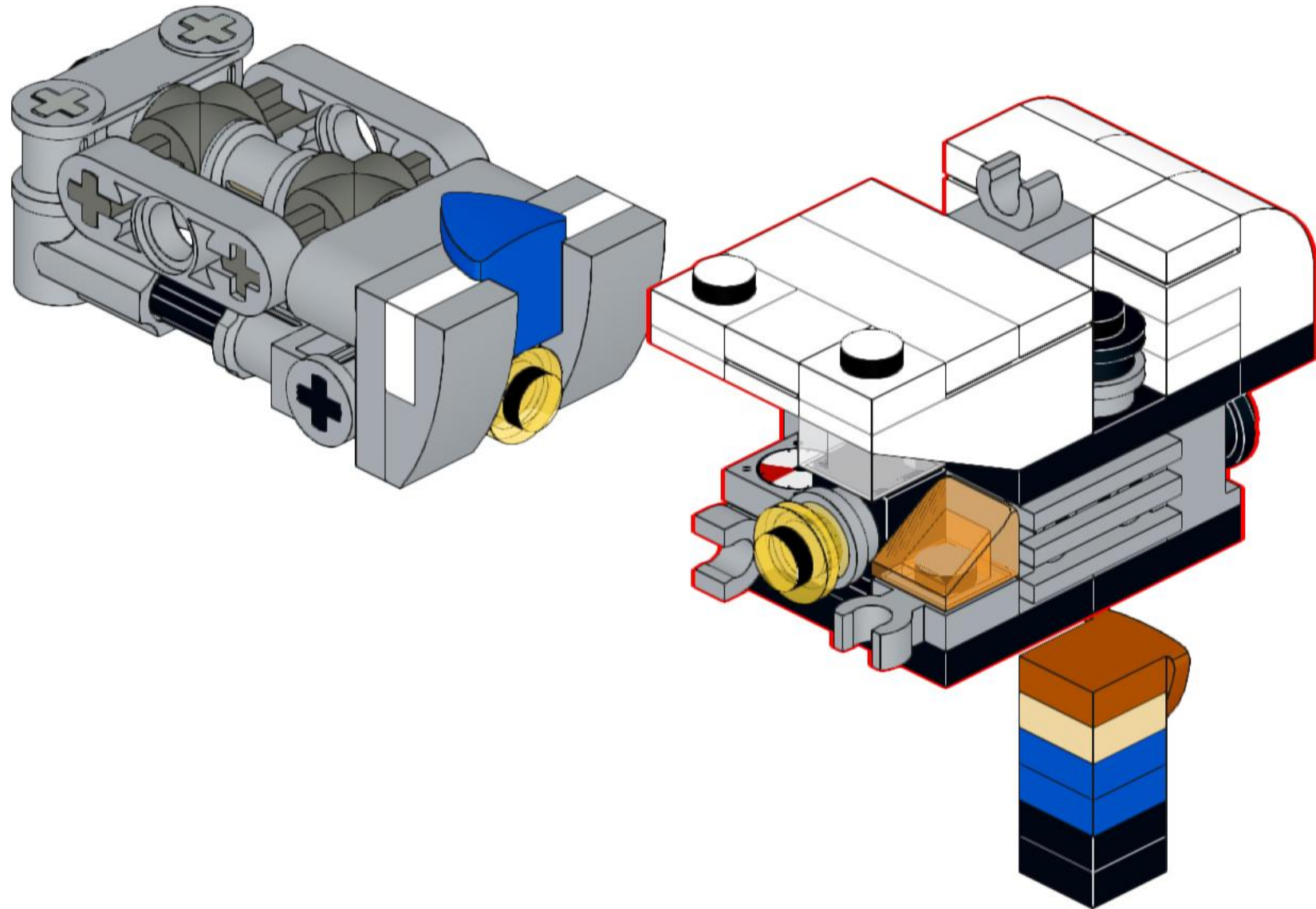
25

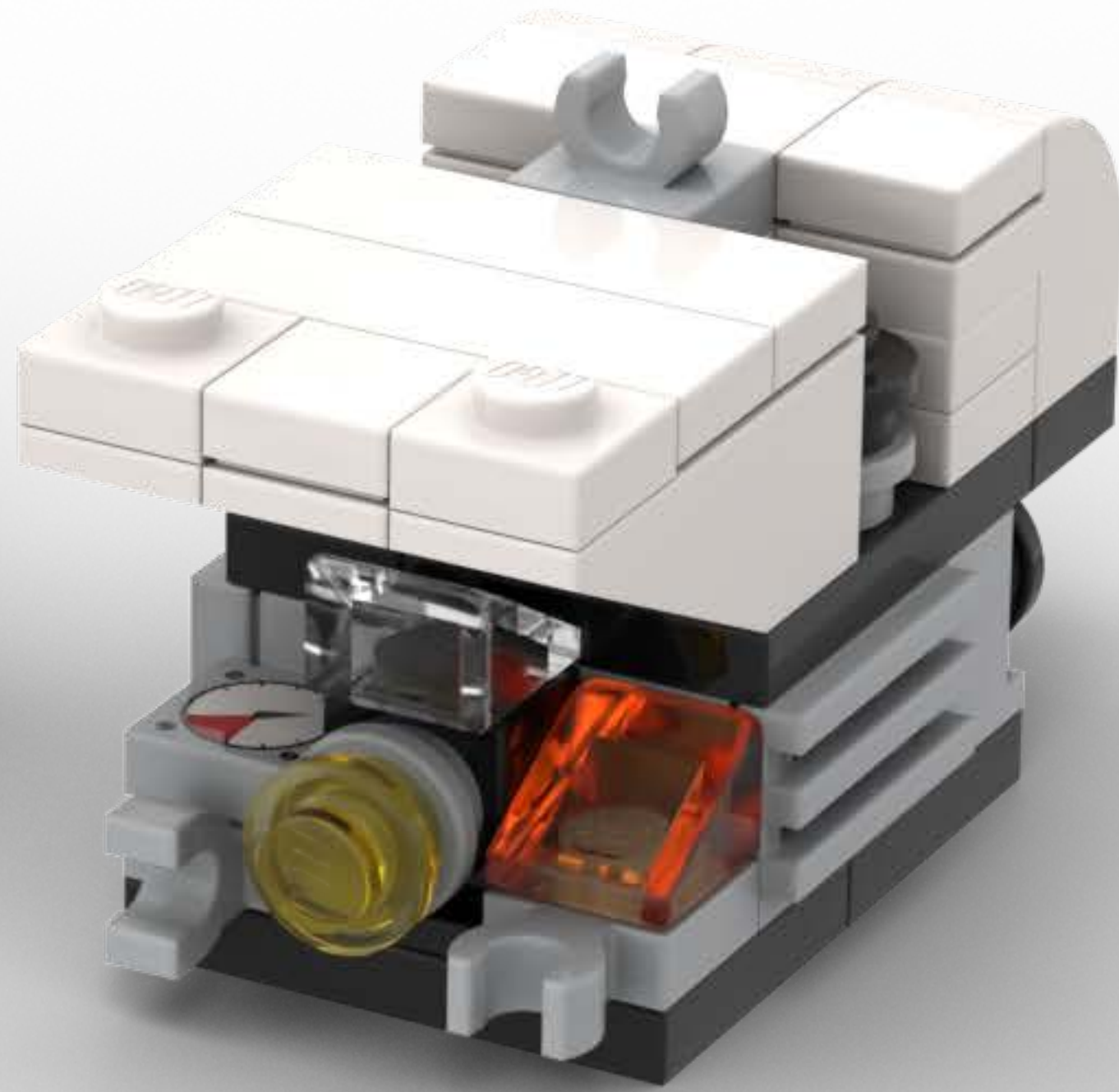
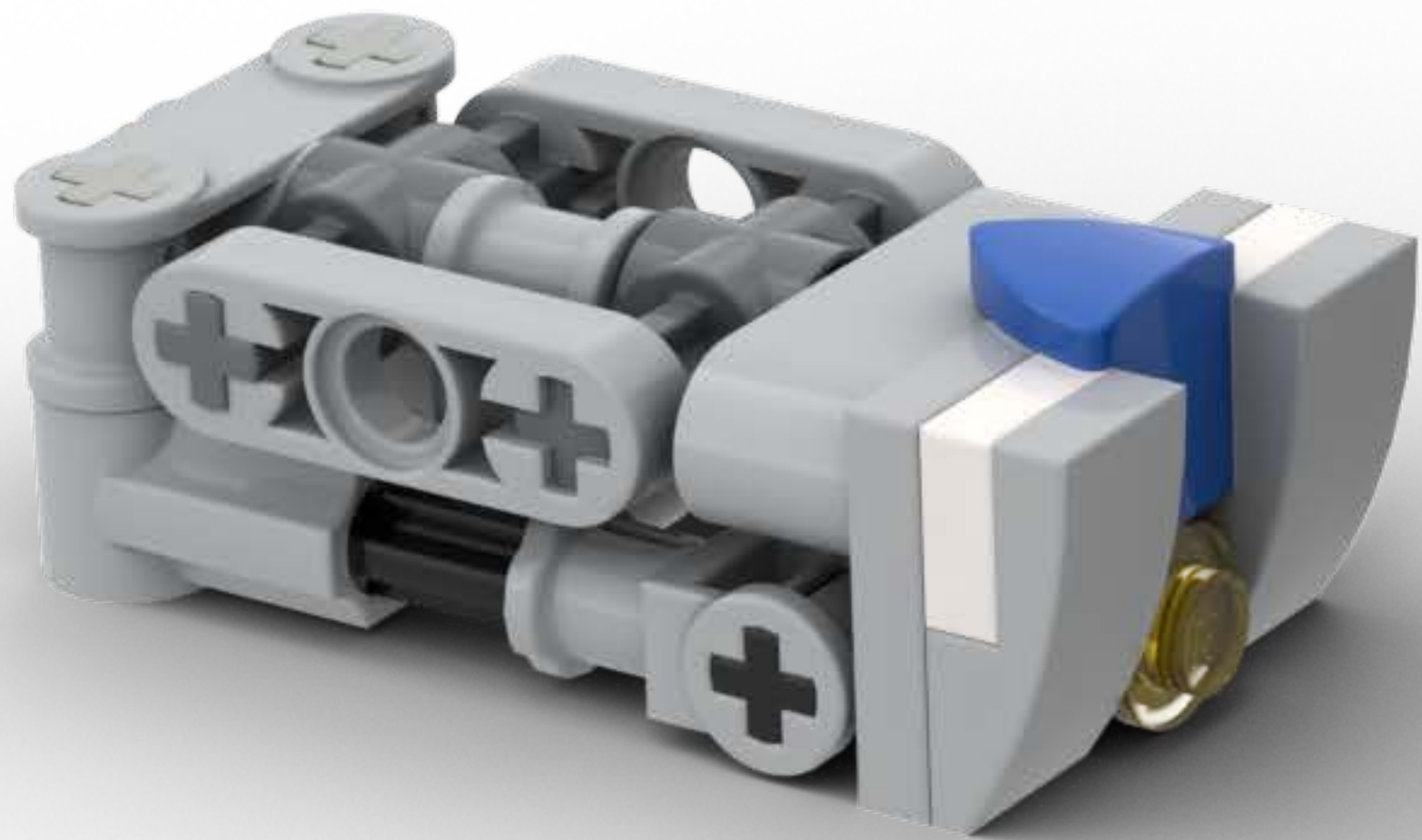


26



27



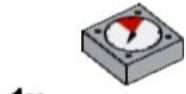




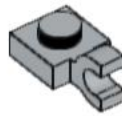
3x
3024
Black



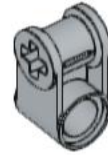
2x
3623
Black



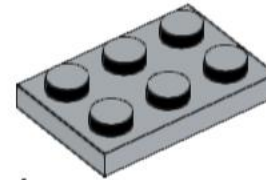
1x
3070bp07
Light Bluish Gray



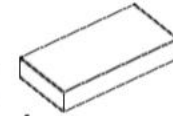
1x
6019
Light Bluish Gray



1x
6536
Light Bluish Gray



1x
3021
Light Bluish Gray



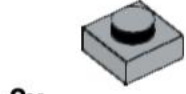
1x
3069b
White



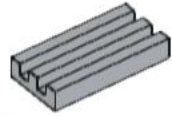
4x
4073
Black



3x
3021
Black



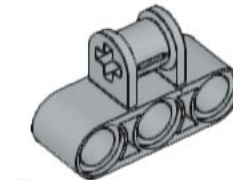
2x
3024
Light Bluish Gray



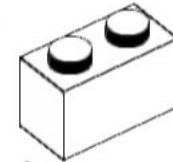
1x
2412b
Light Bluish Gray



2x
32013
Light Bluish Gray



1x
63869
Light Bluish Gray



1x
3004
White



1x
4070
Black



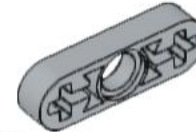
2x
89678
Dark Bluish Gray



3x
4073
Light Bluish Gray



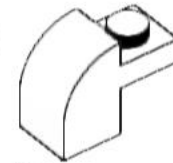
1x
3069bps1
Light Bluish Gray



2x
6632
Light Bluish Gray



2x
3070b
White



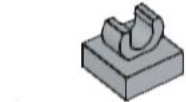
3x
6091
White



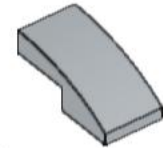
1x
2780
Black



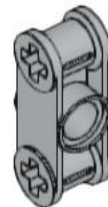
2x
27940
Dark Bluish Gray



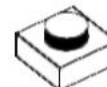
1x
15712
Light Bluish Gray



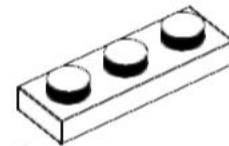
2x
11477
Light Bluish Gray



1x
32184
Light Bluish Gray



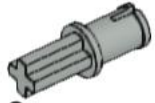
4x
3024
White



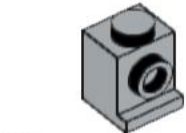
2x
3623
White



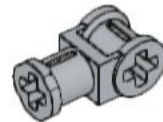
3x
4519
Black



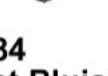
2x
3749
Light Gray



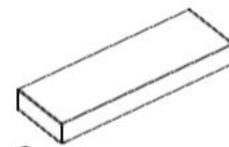
6x
4070
Light Bluish Gray



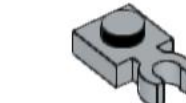
2x
32039
Light Bluish Gray



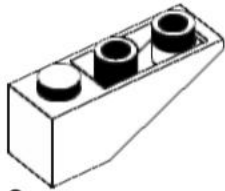
1x
3005
White



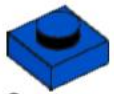
2x
63864
White



1x
4085d
Light Bluish Gray



3x
4287
White



2x
3024
Blue



1x
4081b
Red



1x
35463
Blue



1x
35463
Dark Orange



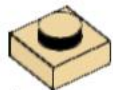
1x
54200
Trans-Clear



1x
6587
Dark Tan



1x
54200
Trans-Orange



1x
3024
Tan



2x
4073
Trans-Yellow

UNH CCOM/JHC is responsible for the contents of this booklet.

Model(s) and booklet designed by Will Fessenden, 2023.

Edited by Colleen Mitchell.



Visit our website: <https://ccom.unh.edu>

Check out the rest of our models here: <https://ccom.unh.edu/lego-model-instructions>

And visit the NOAA Ship *Okeanos Explorer*'s website: <https://oceanexplorer.noaa.gov/okeanos/>

