



# OCEAN DISCOVERY



6+

OKEANOS EXPLORER

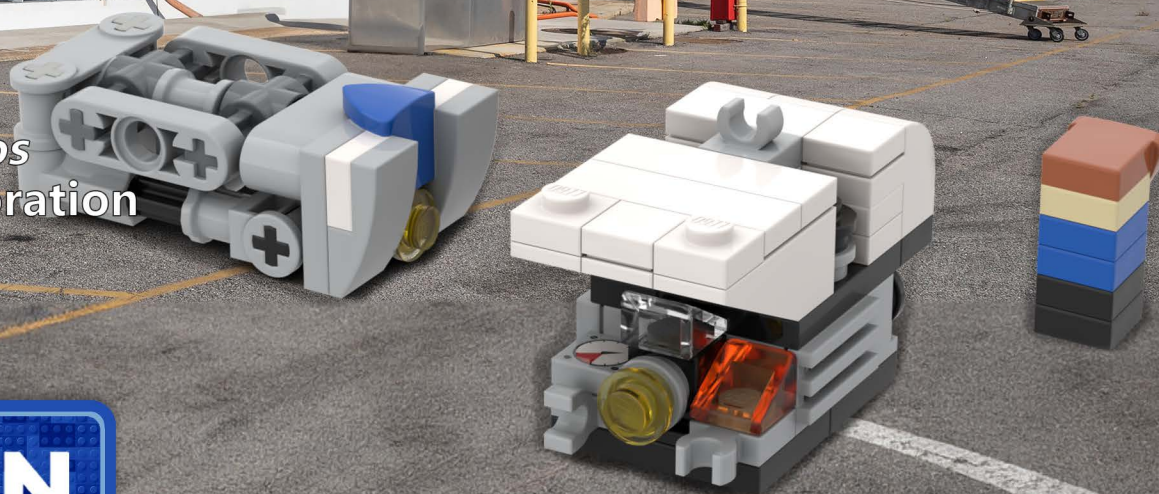
C2305

ROVs *D2* and *Seirios*  
NOAA Ocean Exploration

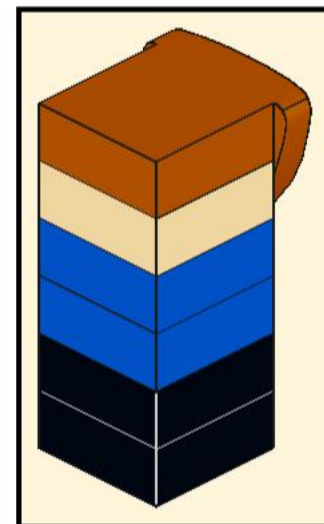
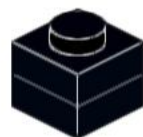
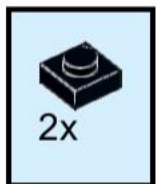
82 pcs



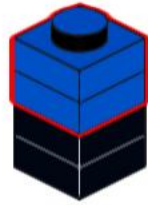
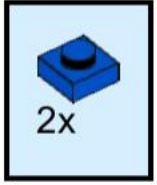
**OCEAN**  
EXPLORATION



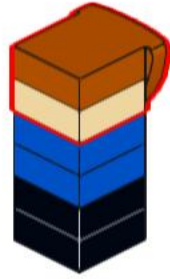
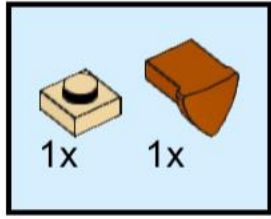
1



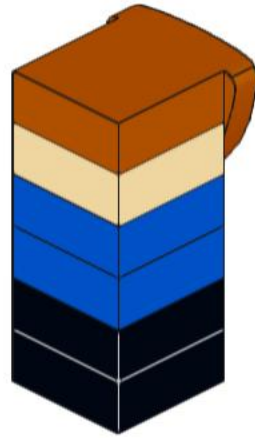
2



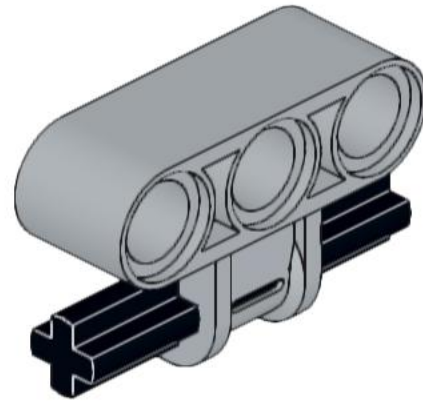
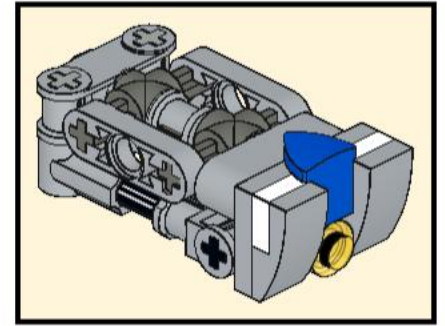
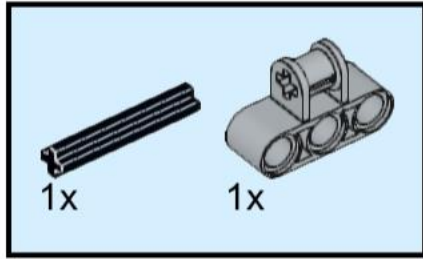
3



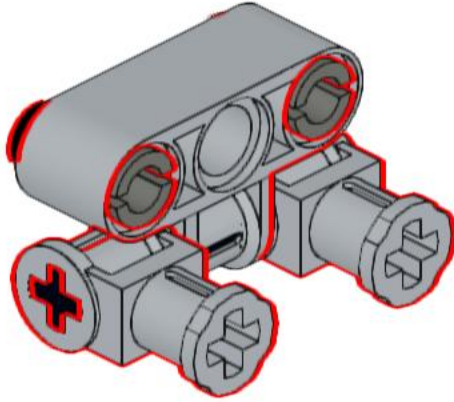
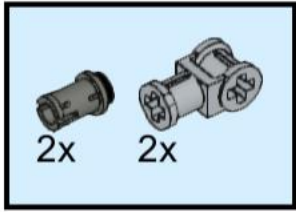
4



5

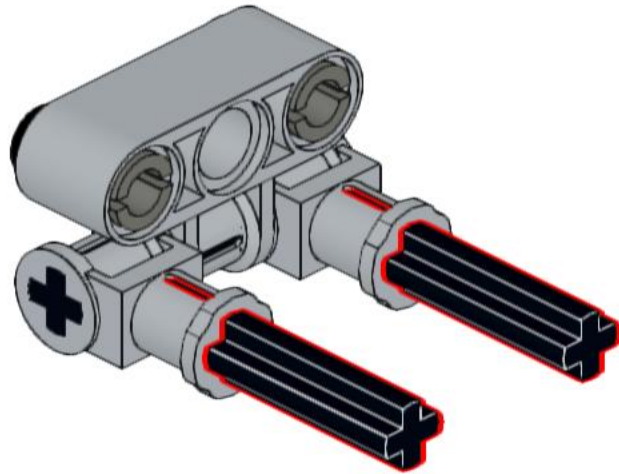
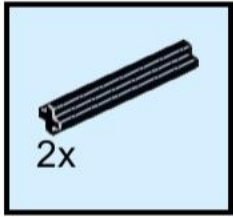


6



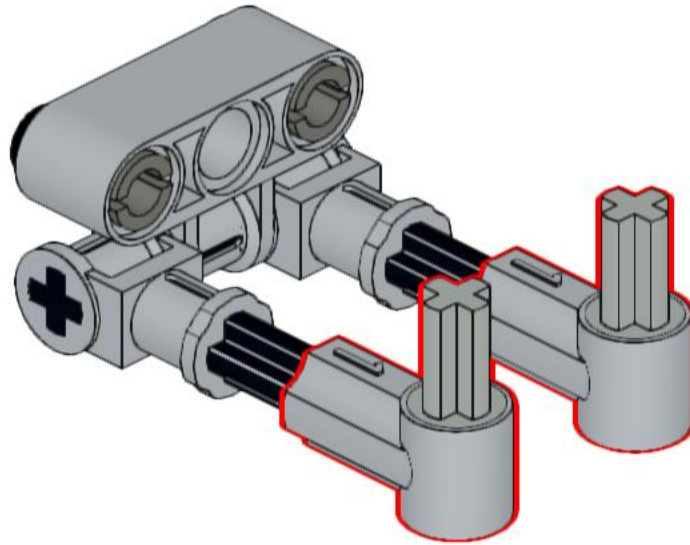
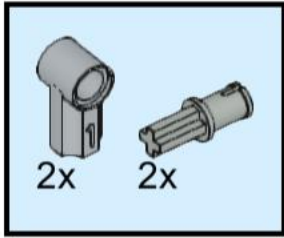


7

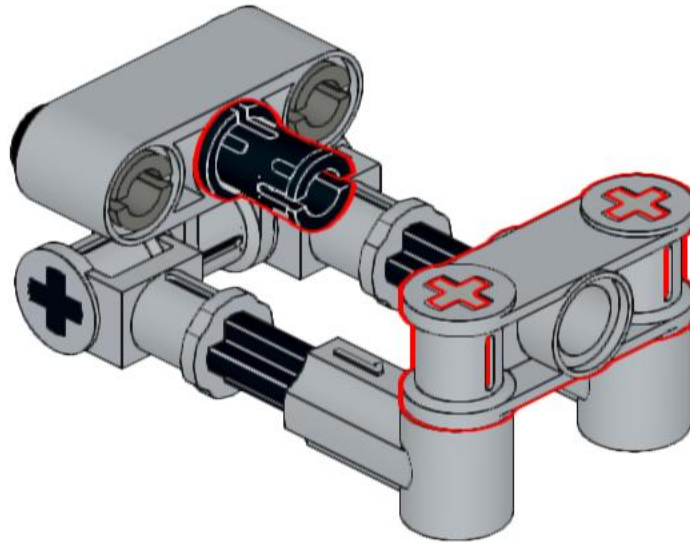
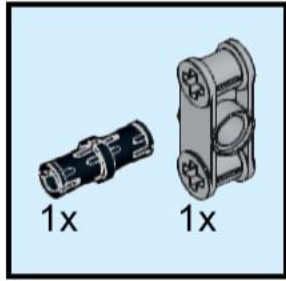




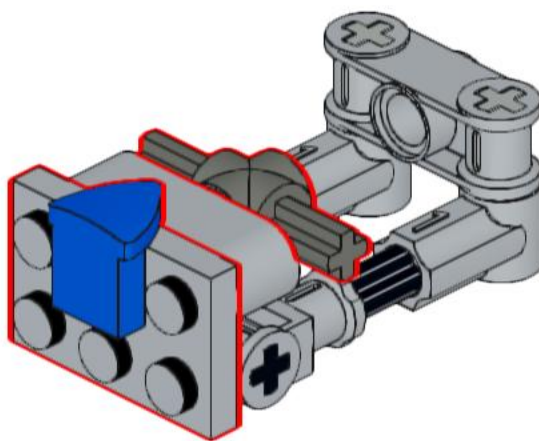
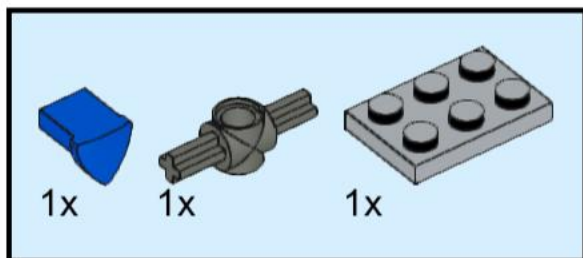
8



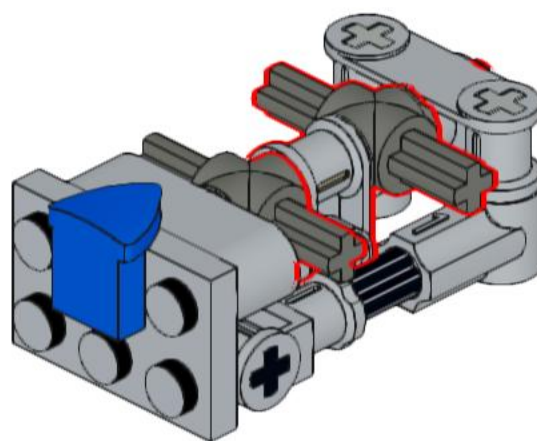
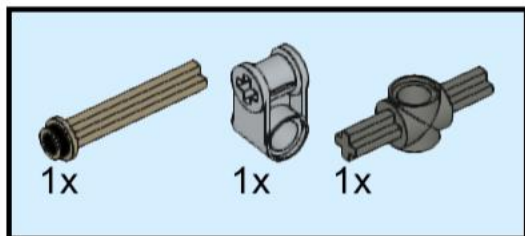
9



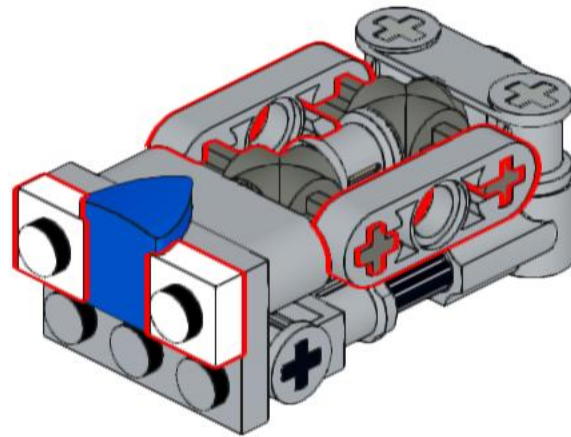
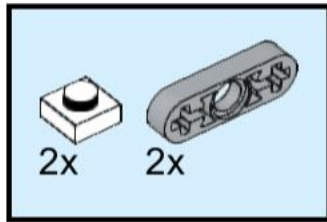
# 10



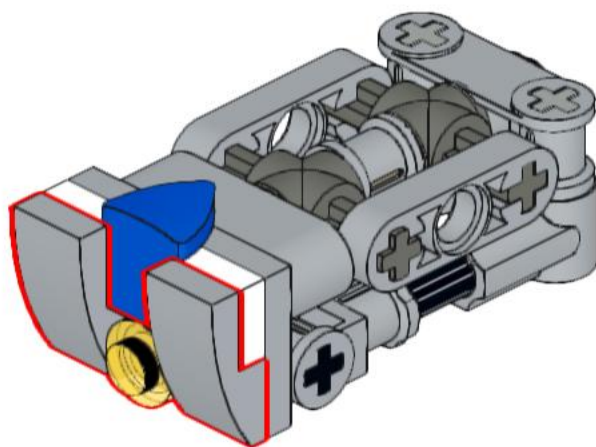
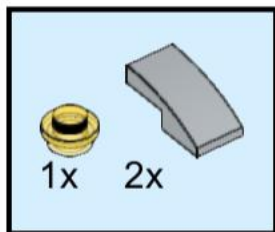
# 11



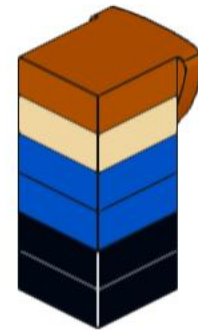
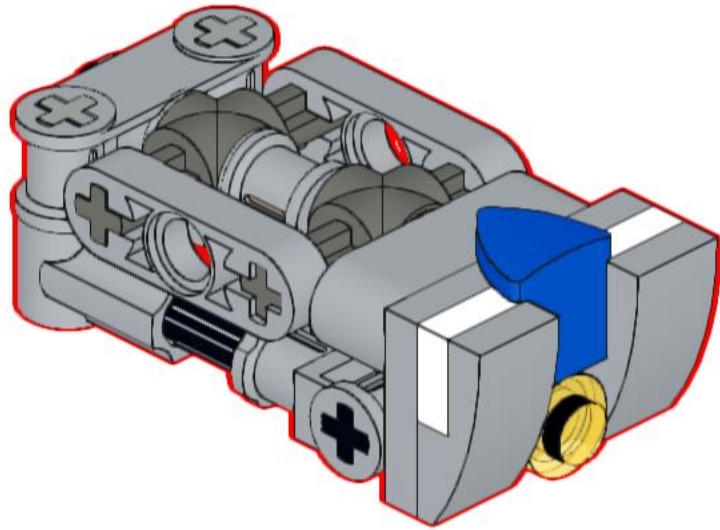
# 12



# 13

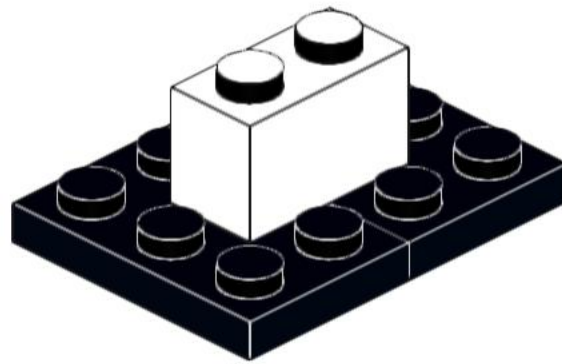
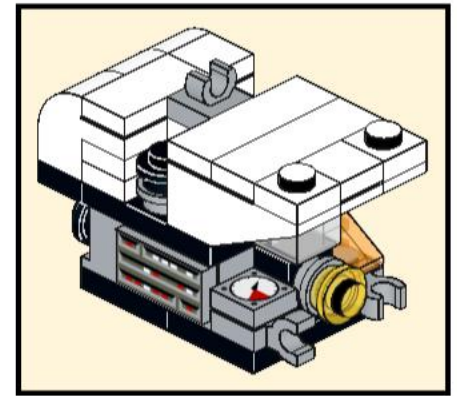
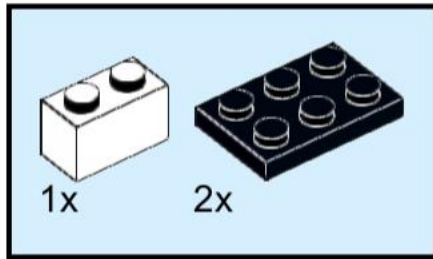


14

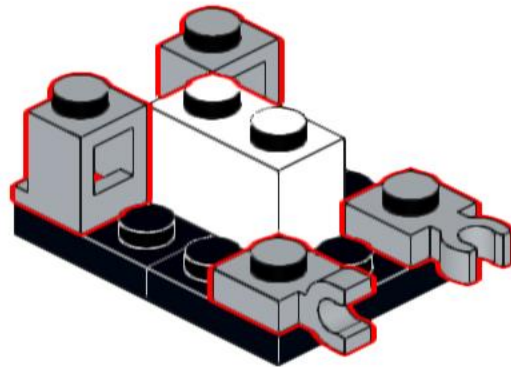
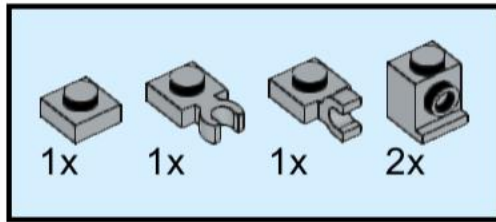




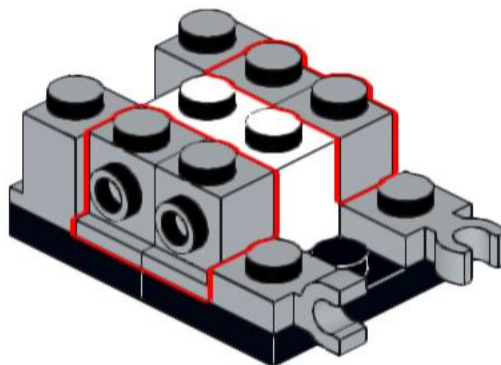
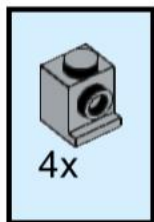
# 15



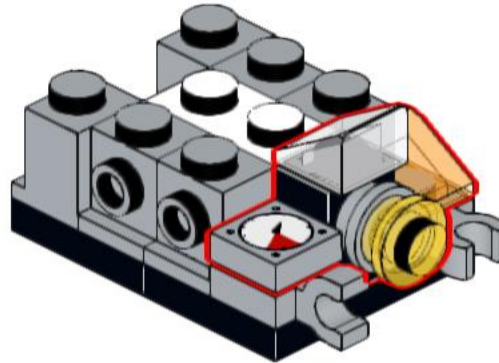
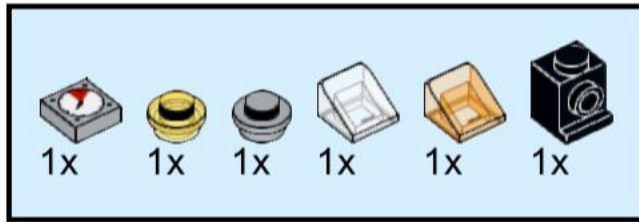
# 16



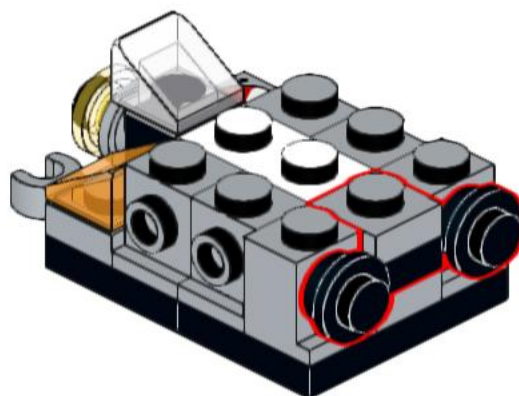
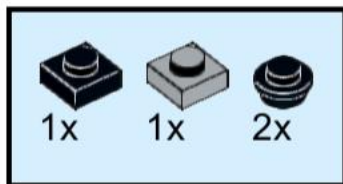
# 17



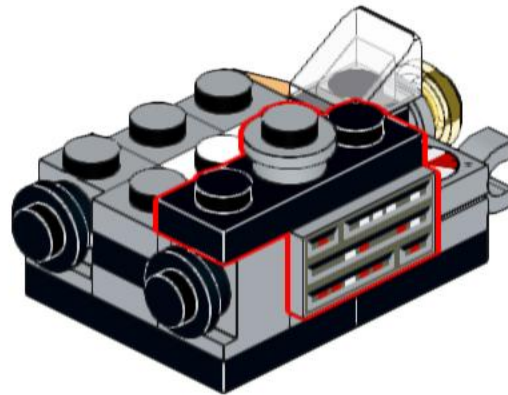
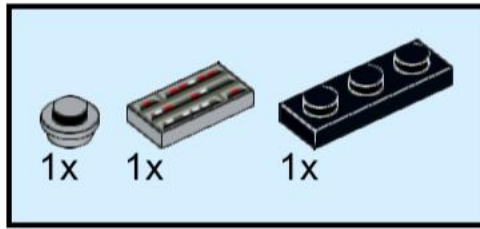
# 18



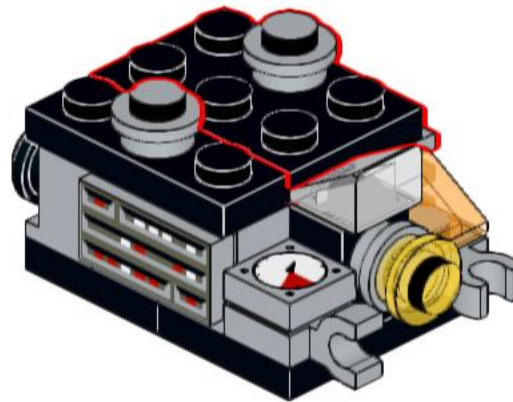
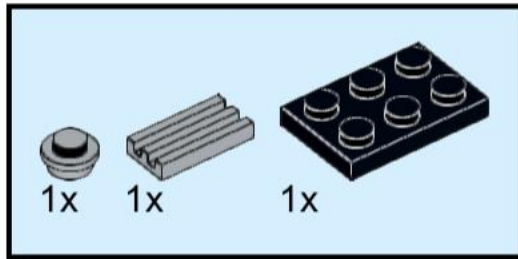
# 19



# 20

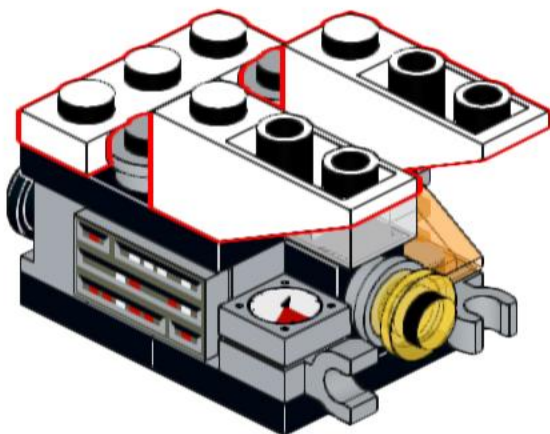
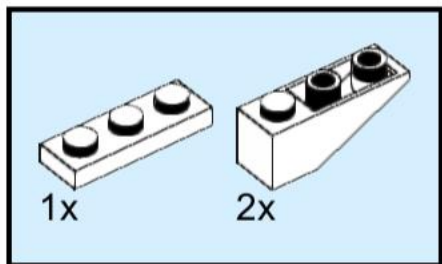


# 21

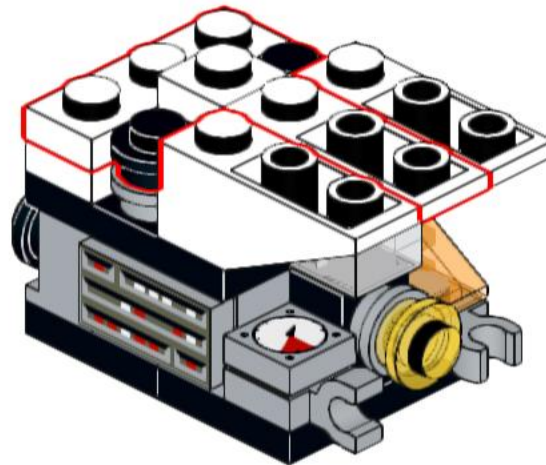
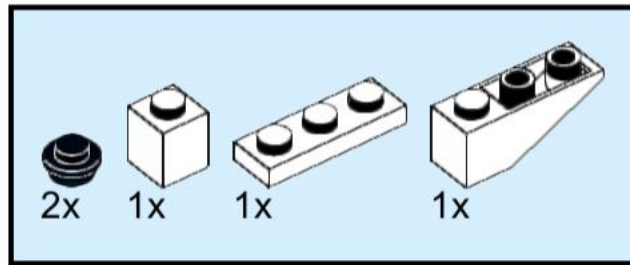




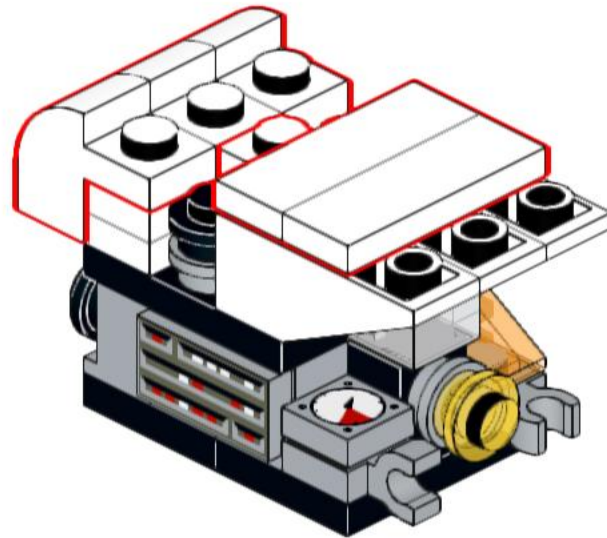
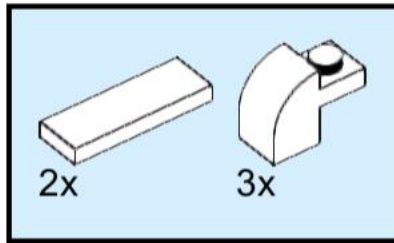
# 22



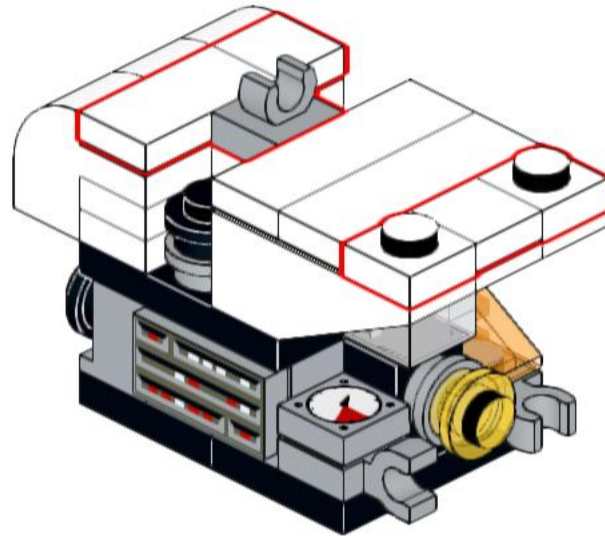
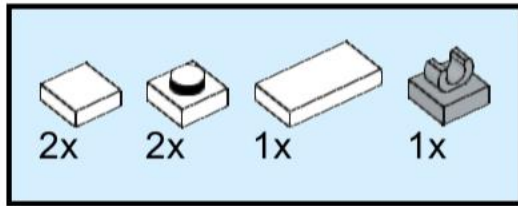
# 23



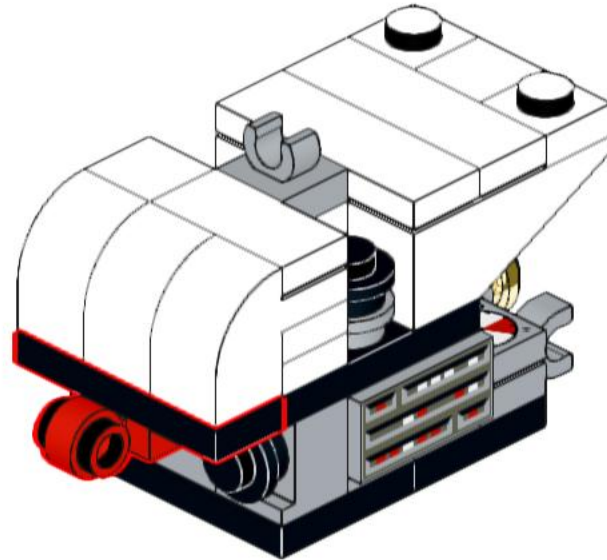
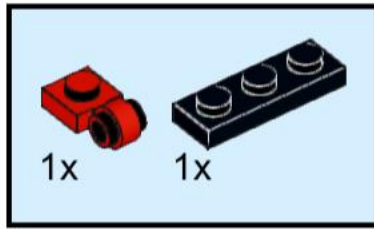
# 24



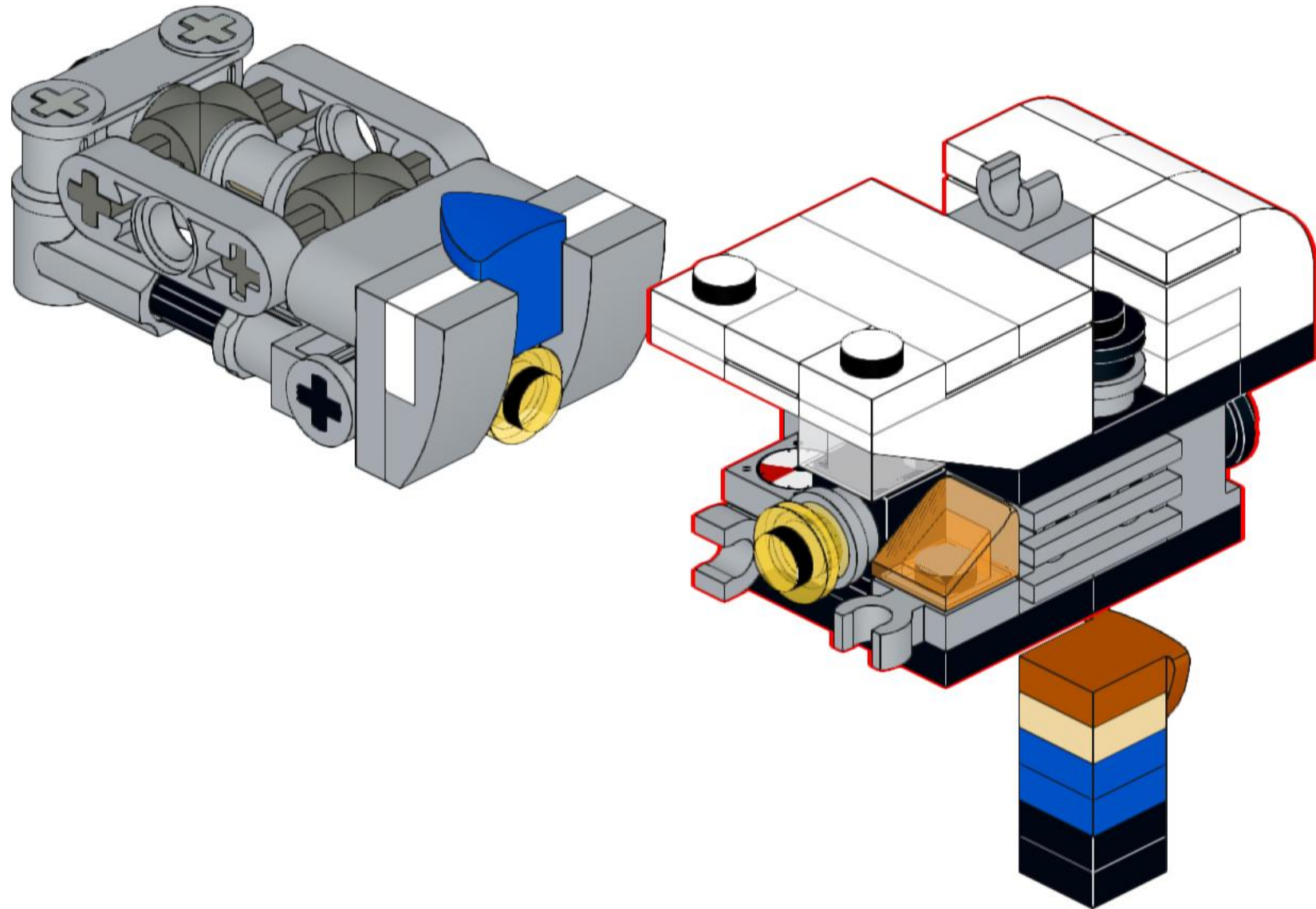
# 25



# 26



27







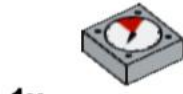




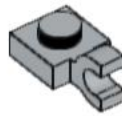
3x  
3024  
Black



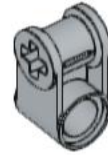
2x  
3623  
Black



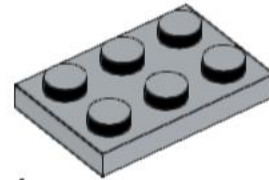
1x  
3070bp07  
Light Bluish Gray



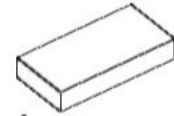
1x  
6019  
Light Bluish Gray



1x  
6536  
Light Bluish Gray



1x  
3021  
Light Bluish Gray



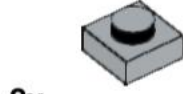
1x  
3069b  
White



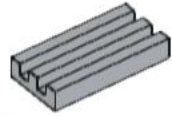
4x  
4073  
Black



3x  
3021  
Black



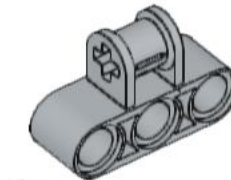
2x  
3024  
Light Bluish Gray



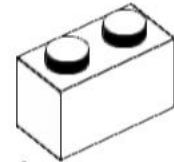
1x  
2412b  
Light Bluish Gray



2x  
32013  
Light Bluish Gray



1x  
63869  
Light Bluish Gray



1x  
3004  
White



1x  
4070  
Black



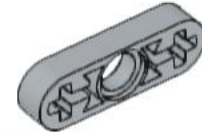
2x  
89678  
Dark Bluish Gray



3x  
4073  
Light Bluish Gray



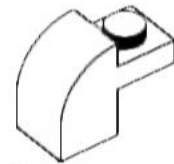
1x  
3069bps1  
Light Bluish Gray



2x  
6632  
Light Bluish Gray



2x  
3070b  
White



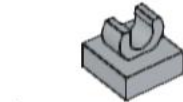
3x  
6091  
White



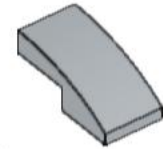
1x  
2780  
Black



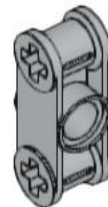
2x  
27940  
Dark Bluish Gray



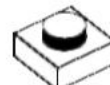
1x  
15712  
Light Bluish Gray



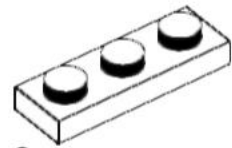
2x  
11477  
Light Bluish Gray



1x  
32184  
Light Bluish Gray



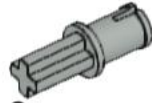
4x  
3024  
White



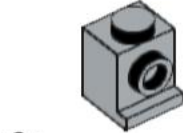
2x  
3623  
White



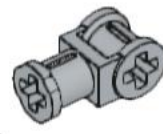
3x  
4519  
Black



2x  
3749  
Light Gray



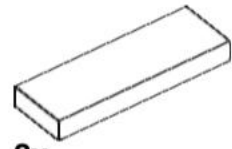
6x  
4070  
Light Bluish Gray



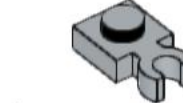
2x  
32039  
Light Bluish Gray



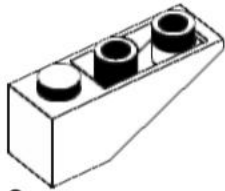
1x  
3005  
White



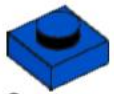
2x  
63864  
White



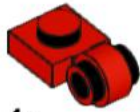
1x  
4085d  
Light Bluish Gray



3x  
4287  
White



2x  
3024  
Blue



1x  
4081b  
Red



1x  
35463  
Blue



1x  
35463  
Dark Orange



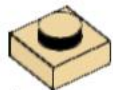
1x  
54200  
Trans-Clear



1x  
6587  
Dark Tan



1x  
54200  
Trans-Orange



1x  
3024  
Tan



2x  
4073  
Trans-Yellow

UNH CCOM/JHC is responsible for the contents of this booklet.

Model(s) and booklet designed by Will Fessenden, 2023.

Edited by Colleen Mitchell.



Visit our website: <https://ccom.unh.edu>

Check out the rest of our models here: <https://ccom.unh.edu/lego-model-instructions>

And visit the NOAA Ship *Okeanos Explorer's* website: <https://oceanexplorer.noaa.gov/okeanos/>

